

# 4 LEAN

Standard Structures

Vol. IV



**We Build Lean**

## ■ Volume 4

- [Part Straight Workstation](#)
- [Quality Control Workstation](#)
- [Quality Workstation](#)
- [Box Tilt Rolls Rack](#)
- [Box Straight Plate Wagon System](#)
- [Tool Cart](#)
- [Box Tilt Plate Rack](#)
- [Panel Cart](#)
- [Part Straight Packaging Workstation](#)
- [E-Commerce Carts](#)
- [Chair](#)
- [Box Base Wagon](#)
- [Container Base Wagon](#)
- [Container Tall Wagon](#)
- [Base Multishelve Wagon](#)
- [Maxi Pallet](#)
- [Trolley Tall Ramp Wagon](#)
- [Box Straight Plate Wagon Plus](#)
- [Quality Label for Structure Specifications](#)

# About us

4Lean is a company dedicated to the creation and implementation of Lean solutions. We have a vast knowledge in Lean, we are able to implement a full supply chain with our vast portfolio that is developed in our Lean Lab.

All organization practice Lean everyday. We have regular training in Lean and we participate in Kaizen Events to understand customer needs.

We believe our *gemba* is at customer site, we are a natural extension of your organization.

4Lean é uma empresa dedicada à criação e implementação de soluções Lean. Temos um vasto conhecimento em Lean, somos capazes de implementar uma cadeia de fornecimento completa com o nosso vasto portfólio que é desenvolvido no nosso Laboratório Lean.

Todos na organização praticam Lean diariamente. Temos uma formação regular em Lean e participamos em eventos Kaizen para entender as necessidades dos clientes.

Acreditamos que o nosso *gemba* está à vista do cliente, somos uma extensão natural da sua organização.

4Lean è una società dedicata alla creazione e implementazione di soluzioni di Lean. Abbiamo una vasta conoscenza in Lean e siamo in grado di implementare una catena di approvvigionamento grazie alla nostra vasta gamma sviluppata nel nostro Lean Lab.

Tutta la nostra organizzazione, pratica Lean tutti i giorni. Abbiamo formazione regolare in Lean e partecipiamo a cantieri Kaizen, eventi per capire al meglio i nostri clienti.

Crediamo che il nostro *gemba* è presso il cliente, siamo una naturale estensione della vostra organizzazione.

4Lean es una empresa dedicada a la creación e implementación de soluciones de Lean. Contamos con un amplio conocimiento en Lean, somos capaces de implementar una cadena de suministro completa con nuestro amplio catalogo que se desarrolla en nuestro Laboratorio de Lean.

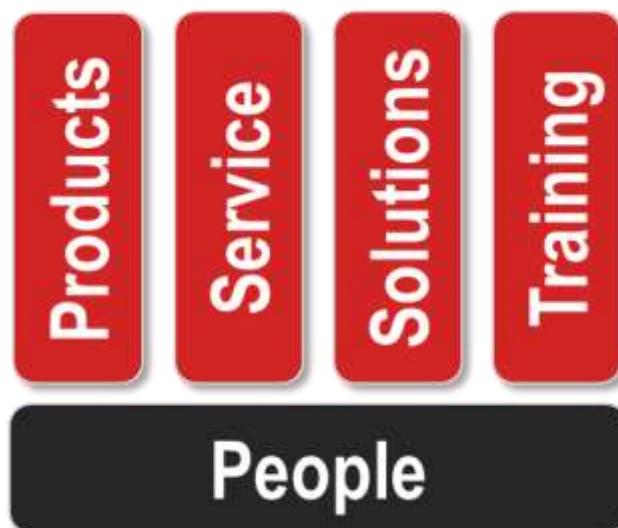
Todos en la organización practican Lean diariamente. Tenemos una formación regular en Lean y participamos en Kaizen Eventos para entender las necesidades del cliente.

Creemos que nuestra *gemba* está en el sitio del cliente, somos una extensión natural de su organización.

4Lean est une société dédiée à la création et la mise en œuvre de solutions Lean. Nous avons une vaste connaissance dans Lean, nous sommes capable de construire une chaîne d'approvisionnement complète avec notre vaste portefeuille qui est développée dans notre Lean Lab.

Tout l'organisation pratique Lean quotidienne. Nous avons régulièrement des formations Lean, nous participons à chantier Kaizen pour comprendre les besoins des clients.

Nous croyons que notre *gemba* est le site du client, nous sommes un prolongement naturel de votre organisation

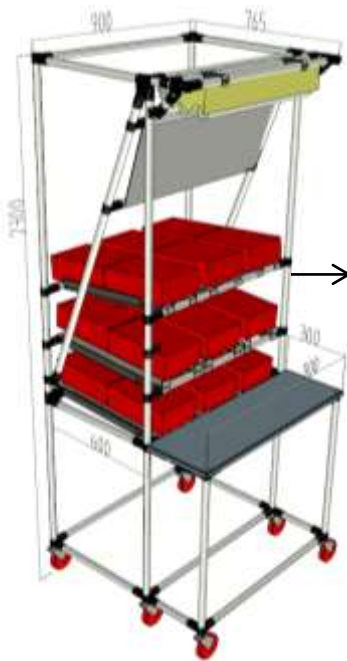


**We Build Lean !**

# Part Straight Workstation

Flow

Max Load per Level 1mm pipe: 150kg  
Max Load per Level 2mm pipe: 270kg



Box Dimensions (mm)  
Width (Front): 200  
Box Depth: 300  
Height: 100



Part Straight Workstation Border of the line

Part Straight Workstation

Boxes not included

## Structure Components

Componentes da estrutura / Componenti della struttura / Componenti della struttura / Composants de structure

Reference	Type	Pipe Dimensions	Pipe Colour	Description	Components		
PW01BL**	Kit	1 - $\varnothing$ 28*1.0 2 - $\varnothing$ 28*2.0	B	Plain Workstation Border of the line	JR-35BM JR-35AM C-354BE	RO4-105RT2  LED-A120  CHGALV15	
PW02BL**	Assembled		C				
PW03BL**	Bulk Material		G				
PW01W**	Kit		Y	Plain Workstation			
PW02W**	Assembled		A				
PW03W**	Bulk Material		M				
			I ***				
			AL ****				

Reference

+

Pipe Dimensions

+

Pipe Colour

Ex.: PW01BL2B

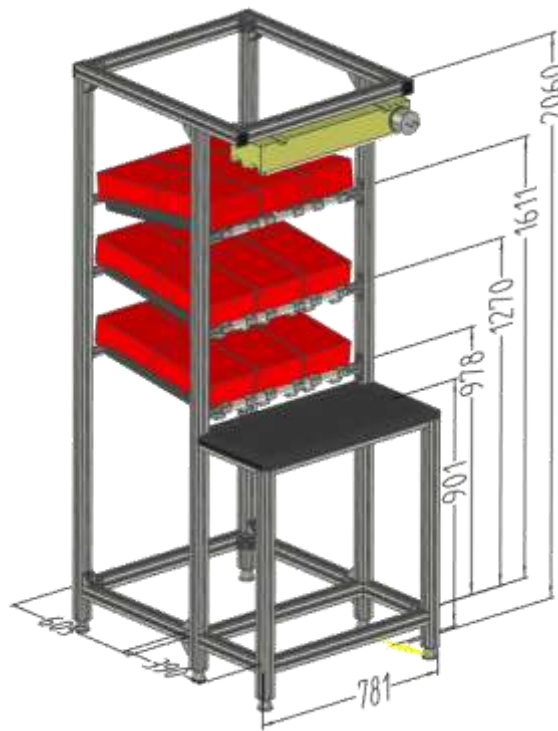
\*\*\*\*Aluminum 2mm pipe

Aluminio / Alluminio /  
Aluminio / Aluminium

\*\*\*Stainless Steel 1mm pipe

Aço inoxidável / Acciaio inossidabile /  
Acero inoxidable / Acier inoxydable





Max Load per Level 1mm pipe: 300kg  
Max Load per Level 2mm pipe: 360kg











**Box Dimensions (mm)**  
Width (Front): 200  
Box Depth: 300  
Height: 100

Part Straight Workstation Border of the line

**Boxes not included**

### Structure Components

Componentes da estrutura / Componenti della struttura / Componenti della struttura / Composants de structure

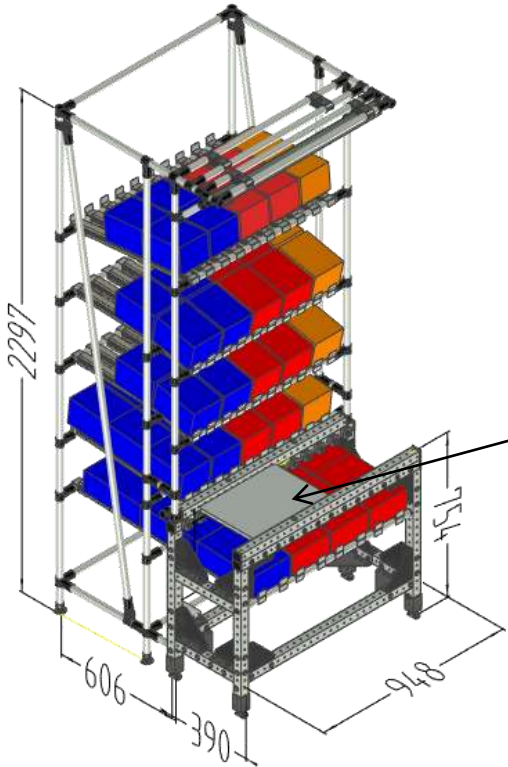
Reference	Type	Pipe Dimensions	Pipe Colour	Description	Components	
PWBAL01	Kit	 45mm x 45mm	<b>ALUMINUM</b> 	Plain Workstation Border of the line	T-2810C** C-354BE R-35B   	PE-C3M 
PWBAL02	Assembled				JR-35AM JR-35DM  	LED-A060 
PWBAL03	Bulk Material*				CHGALV15 	

**\*LED-A060 not included**

Não incluído/ Non incluso /  
No incluido/ Non inclus

**\*\*Available in other colors**

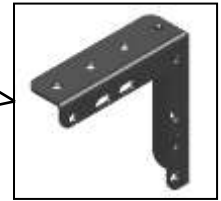
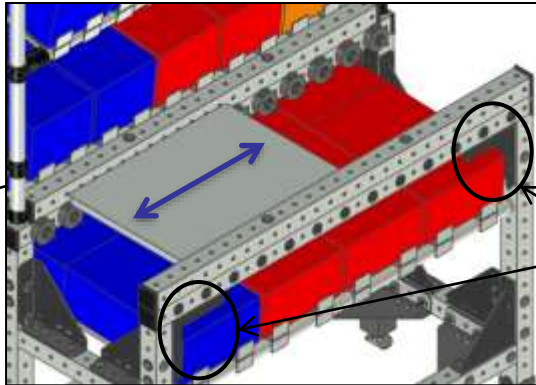
Disponível em outra cores /  
Disponibile en otros colores /  
Disponibile in altri colori /  
Disponibile dans d'autres couleurs



Max Load per Level 1mm pipe: 120kg  
 Max Load per Level 2mm pipe: 200kg

**Box Dimensions (mm)**  
 Width (Front): 150  
 Box Depth: 200  
 Height: 120





### Lateral Movement



JA-1RR

Box-Tilt-Shelve-Multi-Base-Rolls-Front-Rack

**Boxes not included**

Structure Components						
Componentes da estrutura / Componenti della struttura / Componenti della struttura/ Composants de structure						
Reference	Type	Pipe Dimensions	Description	Components		
BRAA01	Kit	40mm x 40mm 	Box-Tilt-Shelve-Multi-Tall-Rolls-Front-Rack	T-2810C**	R-35B	PE-C2M 
BRAA02	Assembled			JR-35AM	JR-35BM	LED-A060 
BRAA03	Bulk Material*			JR-35HM	RL-48A 	

**\*LED-A060 not included**

Não incluído/ Non incluso /  
 No incluido/ Non inclus

**\*\*Available in other colors**

Disponível em outra cores /  
 Disponible en otros colores /  
 Disponibile in altri colori /  
 Disponible dans d'autres couleurs





Max Load per Level 1mm pipe: 400kg  
 Max Load per Level 2mm pipe: 800kg

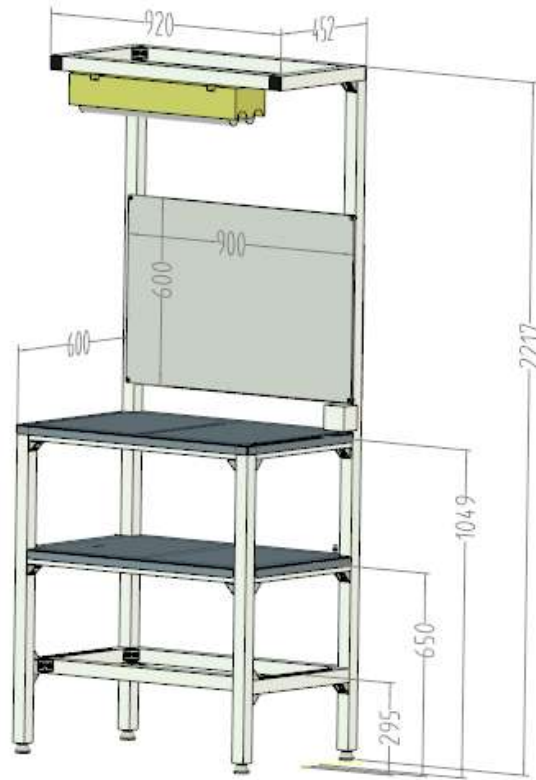
**Structure Components**  
 Componentes da estrutura / Componenti della struttura / Componenti della struttura / Composants de structure

Reference	Type	Pipe Dimensions	Pipe Colour	Description	Components
QCW01**	Kit	1 - $\varnothing$ 28*1.0 2 - $\varnothing$ 28*2.0	B	Quality Control Workstation	MDFLA16B
QCW02**	Assembled		C G Y A M		B-QM1
QCW03**	Bulk Material		I *** AL****		PE-C2M

Reference + Pipe Dimensions + Pipe Colour  
 Ex.: QCW012B

\*\*\*\*Aluminum 2mm pipe  
 Alumínio / Alluminio /  
 Aluminium / Aluminium

\*\*\*Stainless Steel 1mm pipe  
 Aço inoxidável / Acciaio inossidabile /  
 Acero inoxidable / Acier inoxydable



Max Load per Level pipe: 250kg

Structure Components					
Componentes da estrutura / Componenti della struttura / Componenti della struttura / Composants de structure					
Reference	Type	Pipe Dimensions	Pipe Colour	Description	Components
QWAL01	Kit	45mm x 45mm	AL	Quality Workstation	Bended metal sheet
QWAL02	Assembled				PE-C3M
QWAL03	Bulk Material*				B-QM1
					LED-A060

**\*LED-A060 not included**

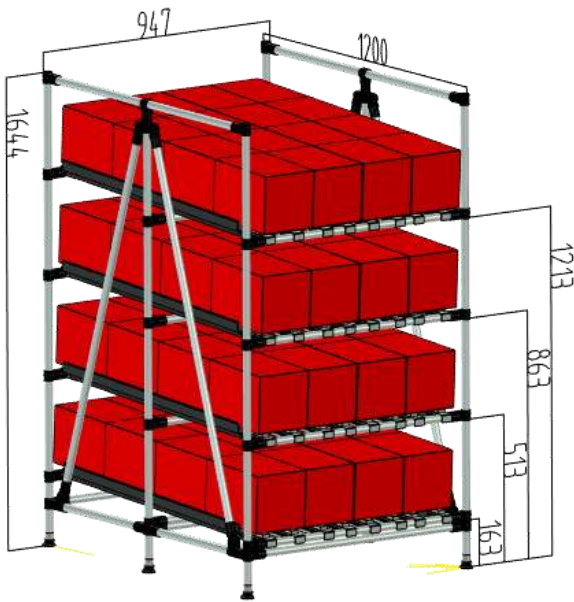
Não incluído/ Non incluso /  
No incluido/ Non inclus



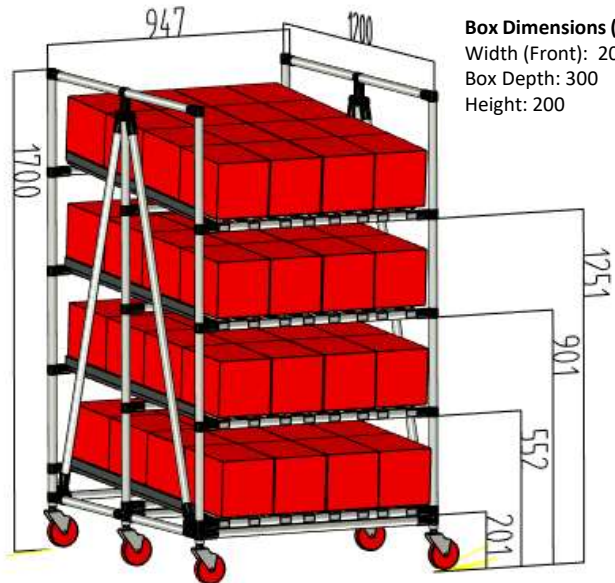
# Box Tilt Rolls Rack



Max Load per Level 1mm pipe: 186kg  
Max Load per Level 2mm pipe: 339kg



Box Tilt Rolls Rack



Box Tilt Rolls Cart

**Box Dimensions (mm)**  
Width (Front): 200  
Box Depth: 300  
Height: 200

**Boxes not included**

Structure Components						
Componentes da estrutura / Componenti della struttura / Componenti della struttura / Composants de structure						
Reference	Type	Pipe Dimensions	Pipe Colour	Description	Components	
BTR01R**	Kit	1 - $\varnothing$ 28*1.0 2 - $\varnothing$ 28*2.0	B	Box Tilt Rolls Rack	PE-C2M 	C-354BE  R-35B
BTR02R**	Assembled		C			
BTR03R**	Bulk Material		G Y			
BTR01C**	Kit		A	Box Tilt Rolls Cart	RO4-105RT2 	JR-35AM  JR-35BM
BTR02C**	Assembled		M			
BTR03C**	Bulk Material		I *** AL ***			

\*\*\*\*Aluminum 2mm pipe

Alumínio / Alluminio /  
Aluminio / Aluminium

\*\*\*Stainless Steel 1mm pipe

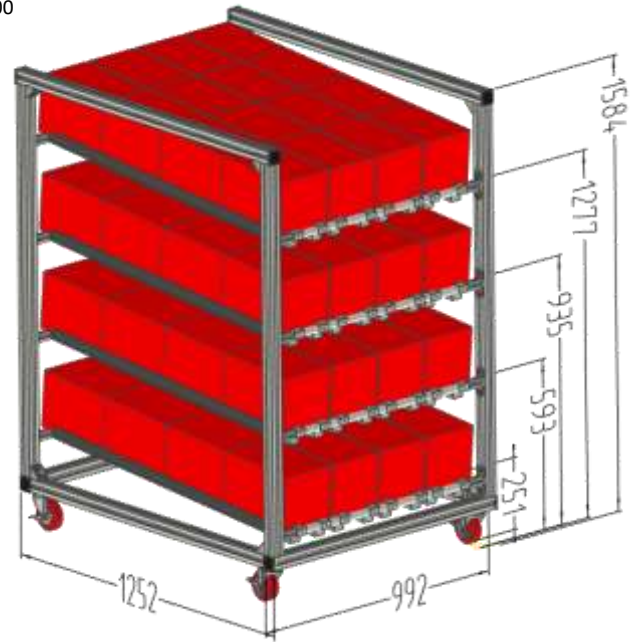
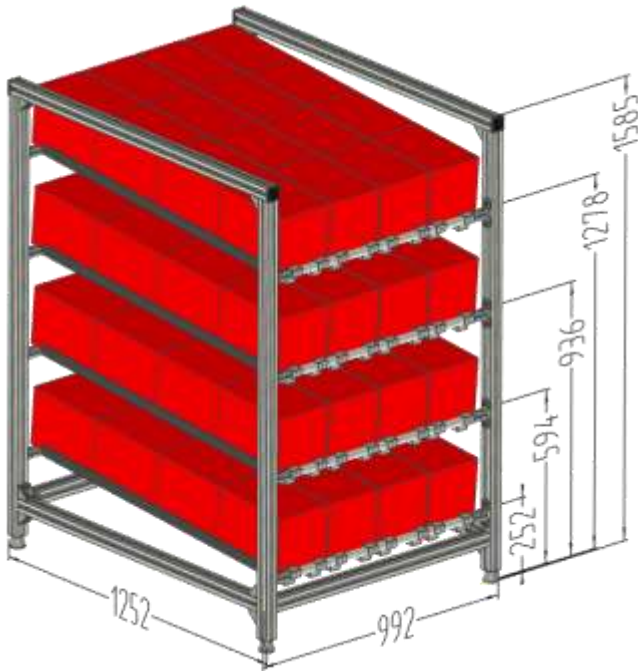
Aço inoxidável / Acciaio inossidabile /  
Acero inoxidable / Acier inoxydable

Reference + Pipe Dimensions + Pipe Colour  
Ex.: BTR01R2B



**Box Dimensions (mm)**  
 Width (Front): 200  
 Box Depth: 300  
 Height: 200





Max Load per Level 1mm pipe: 130kg  
 Max Load per Level 2mm pipe: 230kg



Box Tilt Rolls Rack - BTRRAL

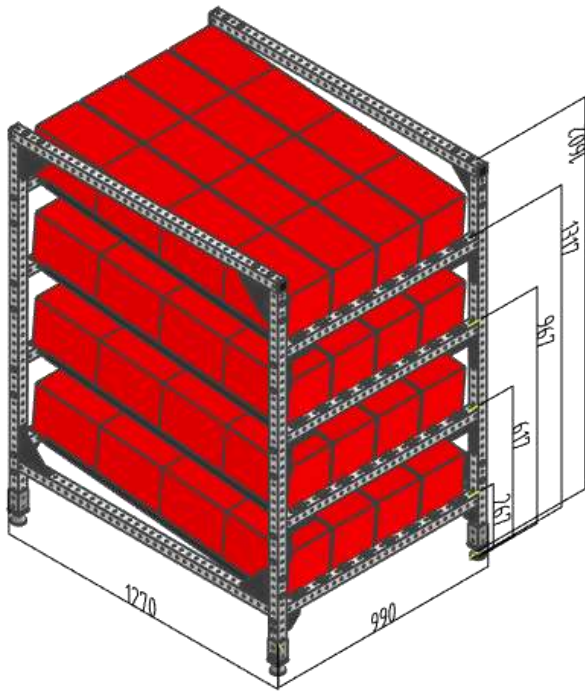
Box Tilt Rolls Cart - BTRCAL

**Boxes not included**

Structure Components					
Componentes da estrutura / Componenti della struttura / Componenti della struttura / Composants de structure					
Reference	Type	Pipe Dimensions	Pipe Colour	Description	Components
BTRRAL01	Kit	45mm x 45mm 	ALUMINUM 	Box Tilt Rolls Rack	PE-C3M
BTRRAL02	Assembled				T-2810C* C-354BE R-35B 
BTRRAL03	Bulk Material				
BTRCAL01	Kit			Box Tilt Rolls Cart	RO4-105RT1
BTRCAL02	Assembled		JR-35AM JR-35DM 		
BTRCAL03	Bulk Material				

**\*Available in other colors**

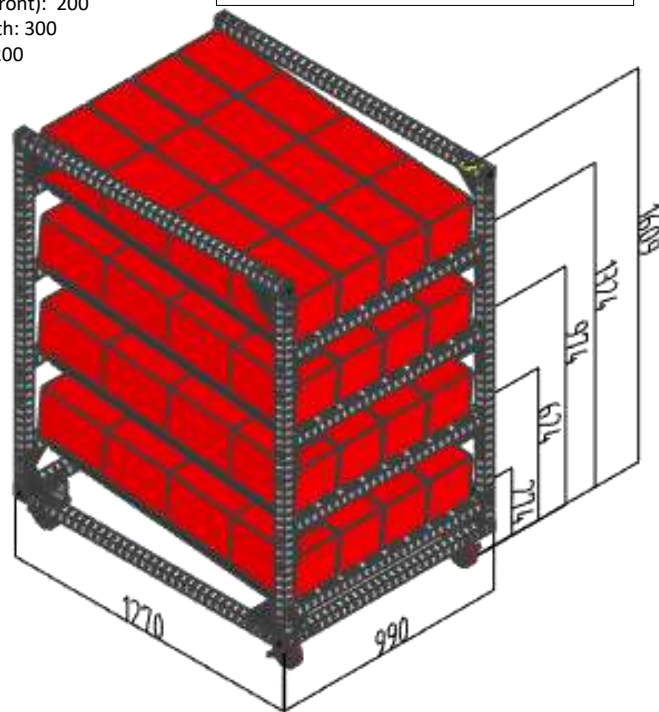
Disponível em outra cores /  
 Disponible en otros colores /  
 Disponibile in altri colori /  
 Disponible dans d'autres couleurs



Box Tilt Rolls Rack - BTRRM









**Box Dimensions (mm)**  
 Width (Front): 200  
 Box Depth: 300  
 Height: 200

Max Load per Level pipe: 336kg



Box Tilt Rolls Cart - BTRCM

**Boxes not included**

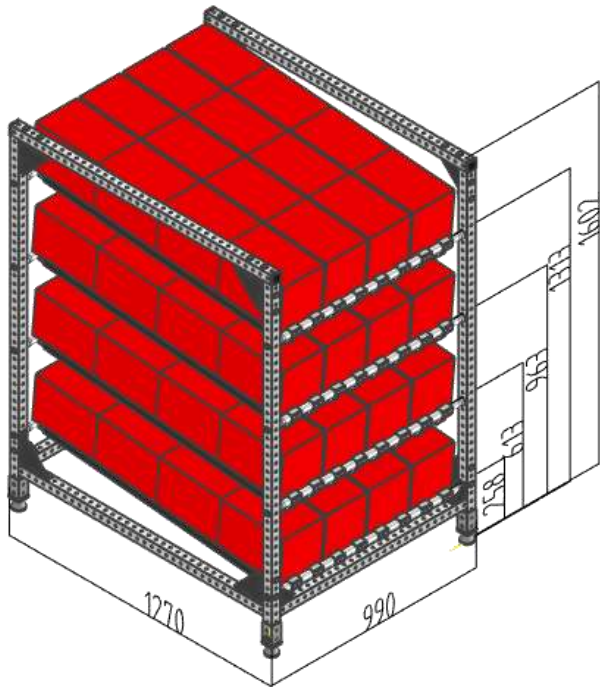
Structure Components							
Componentes da estrutura / Componenti della struttura / Componenti della struttura / Composants de structure							
Reference	Type	Pipe Dimensions	Pipe Colour	Description	Components		
BTRRM01	Kit	 40mm x 40mm	 Galvanized	Box Tilt Rolls Rack	 PE-C3M	 C-404BE	 R-40B
BTRRM02	Assembled						
BTRRM03	Bulk Material						
BTRCM01	Kit			Box Tilt Rolls Cart	 RO4-200FRB	 JR-AMM	 JR-DMM
BTRCM02	Assembled						
BTRCM03	Bulk Material						

**\*Available in other colors**

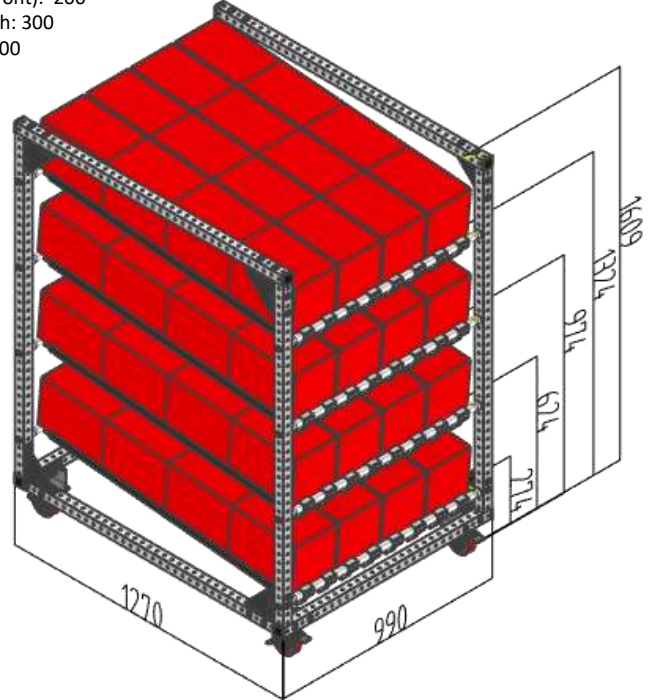
Disponível em outra cores /  
 Disponible en otros colores /  
 Disponibile in altri colori /  
 Disponible dans d'autres couleurs

**Box Dimensions (mm)**  
 Width (Front): 200  
 Box Depth: 300  
 Height: 200

Max Load per Level pipe: 189kg











Box Tilt Rolls Rack - BTRMS



Box Tilt Rolls Cart - BTRCMS

**Boxes not included**

Structure Components							
Componentes da estrutura / Componenti della struttura / Componenti della struttura / Composants de structure							
Reference	Type	Pipe Dimensions	Pipe Colour	Description	Components		
BTRMS01	Kit	 40 x 40mm	Galvanized	Box Tilt Rolls Rack	 PE-C3M	 C-404BE	 R-40B
BTRMS02	Assembled						
BTRMS03	Bulk Material						
BTRCMS01	Kit	 28 x 2.0 mm	Grey	Box Tilt Rolls Cart	 RO4-200FRB	 JR-AM	 JR-DM
BTRCMS02	Assembled						
BTRCMS03	Bulk Material						

**\*Available in other colors**

Disponível em outra cores /  
 Disponible en otros colores /  
 Disponibile in altri colori /  
 Disponible dans d'autres couleurs

# Box Straight Plate Wagon System

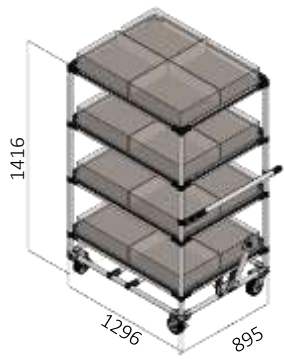


Max Load per Level 1mm pipe: 130kg  
 Max Load 1mm pipe: 315kg  
 Max Load per Level 2mm pipe: 250kg  
 Max Load 2mm pipe: 315kg





























**Box Dimensions (mm)**  
 Width (Front): 400  
 Box Depth: 300  
 Height: 150

Max Load per Level 1mm pipe: 44kg  
 Max Load 2mm pipe: 176kg  
 Max Load per Level 2mm pipe: 78g  
 Max Load 2mm pipe: 312g




**Box Dimensions (mm)**  
 Width (Front): 600  
 Box Depth: 400  
 Height: 234

**Boxes not included**

Structure Components							
Componentes da estrutura / Componenti della struttura / Componenti della struttura / Composants de structure							
Reference	Type	Pipe Dimensions	Pipe Colour	Description	Components		
BSPW01S*	Kit	800x600	1 - $\varnothing$ 28*1.0 2 - $\varnothing$ 28*2.0	B  C  G  Y  A  M  I***  AL**** 	 	    	
BSPW02S*	Assembled						
BSPW03S*	Raw Material						
BSPW01A*	Kit						
BSPW02A*	Assembled						
BSPW03A*	Raw Material						
BSPW04S*	Kit	1200x800	1 - $\varnothing$ 28*1.0 2 - $\varnothing$ 28*2.0	B  C  G  Y  A  M  I***  AL**** 	 	    	
BSPW05S*	Assembled						
BSPW06S*	Raw Material						
BSPW04A*	Kit						
BSPW05A*	Assembled						
BSPW06A*	Raw Material						

\*\*\*Stainless Steel 1mm pipe  
 Aço inoxidável / Acciaio inossidabile / Acero inoxidable / Acier inoxydable

\*\*\*\*Aluminum 2mm pipe  
 Alumínio/ Alluminio / Aluminium / Aluminium

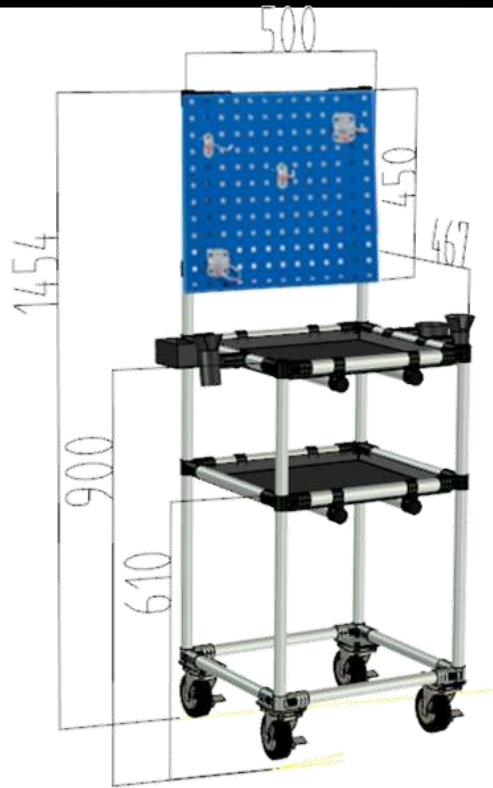
 **Maximum use 1 hour continuously \*\*\*\***  
 Uso máximo 1 hora continuamente / Uso máximo 1 hora continuamente / Utilizzo massimo 1 ora in modo continuato / Utilisation maximale 1 heure en continu

Reference + Pipe Dimensions + Pipe Colour  
 Ex.: **BSPC01S2B**

\*\*\*\*Use over one hour choose RO4-200  
 Utilização superior a 1 hora optar por RO4-200/ Utilizzare oltre 1'ora optare per RO4-200 /  
 Uso superior a 1hora optar por RO4-200 / Utilisez plus d'une heure optez pour RO4-200



# Tool Cart



Max Load Structure 1mm pipe: 315kg  
Max Load Structure 2mm pipe: 315kg

Structure Components				
Componentes da estrutura / Componenti della struttura / Componenti della struttura / Composants de structure				
Reference	Type	Pipe Dimensions	Pipe Colour	Components
TC01*	Kit	1 - $\varnothing$ 28*1.0 2 - $\varnothing$ 28*2.0	B	TO-01R5015     C-TH07L     C-TH11     RO4-105T1
TC02*	Assembled		C	
			G	
			Y	TOS-003     C-TH05     C-TH07LE     CHGALV15
			A	
			M	
TC03*	Raw Material		I ***	
			AL ****	

Reference + Pipe Dimensions + Pipe Colour  
Ex.: TC011B

\*\*\*\* Aluminum 2mm pipe  
Alumínio/ Alluminio /  
Aluminio / Aluminium

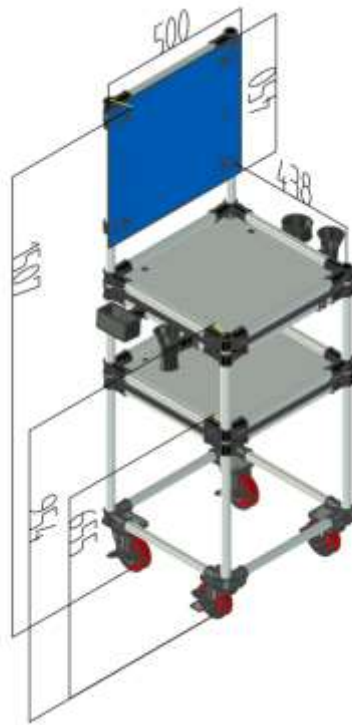
\*\*\*Stainless Steel 1mm pipe  
Aço inoxidável / Acciaio inossidabile /  
Acero inoxidable / Acier inoxydable



# Tool Cart



Max Load Structure 1mm pipe: 315kg  
Max Load Structure 2mm pipe: 315kg



Structure Components				
Componentes da estrutura / Componenti della struttura / Componenti della struttura / Composants de structure				
Reference	Type	Pipe Dimensions	Pipe Colour	Components
TCB01*	Kit	1 - $\varnothing$ 28*1.0 2 - $\varnothing$ 28*2.0	B	TO-01R5015 C-TH07L C-TH11 RO4-105T1
TCB02*	Assembled		C	
TCB03*	Raw Material		G	
			Y	TOS-003 C-TH05 C-TH07LE HDF10MB
			A	
			M	
			I ***	
			AL ****	

\*\*\*\* Aluminum 2mm pipe

Alumínio/ Alluminio /  
Aluminio / Aluminium

\*\*\*Stainless Steel 1mm pipe

Aço inoxidável / Acciaio inossidabile /  
Acero inoxidable / Acier inoxydable

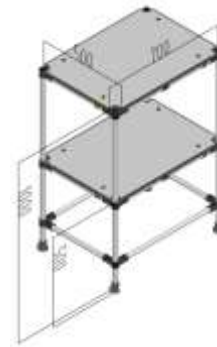
Reference + Pipe Dimensions + Pipe Colour

Ex.: TCB011B

# Support Table



Max Load per Level : 100kg



Single Level Medium Support Table

Multi Level Tall Support Table

Structure Components							
Componentes da estrutura / Componenti della struttura / Componenti della struttura / Composants de structure							
Reference	Type	Dimensions	Height	Pipe Dimensions	Pipe Colour	Description	Components
STSM01*	Kit	500x700	750	1 - $\varnothing$ 28*1.0 2 - $\varnothing$ 28*2.0	B C G Y A M I *** AL****	Single Level Medium Support Table	PE-C2M 
STSM02*	Assembled						
STSM03*	Raw Material						
STM01*	Kit		1000			Multi Level Tall Support Table	HDF10MB 
STM02*	Assembled						
STM03*	Raw Material						
STST01*	Kit		Single Level Tall Support Table				
STST02*	Assembled						
STST03*	Raw Material						

\*\*\*Stainless Steel 1mm pipe

Aço inoxidável / Acciaio inossidabile / Acero inoxidable / Acier inoxydable

\*\*\*\*Aluminum 2mm pipe

Alumínio / Alluminio / Aluminio / Aluminium

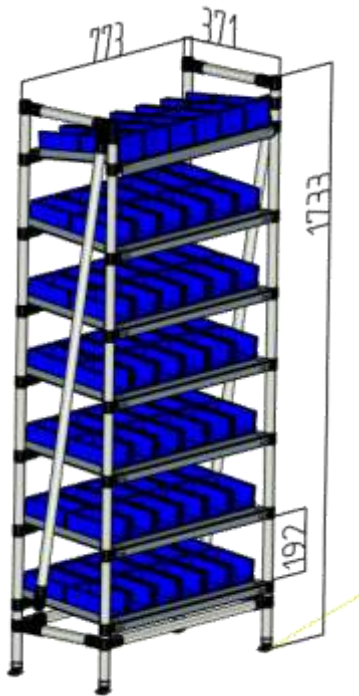
Reference + Pipe Dimensions + Pipe Colour

Ex.: **STSM01**2B



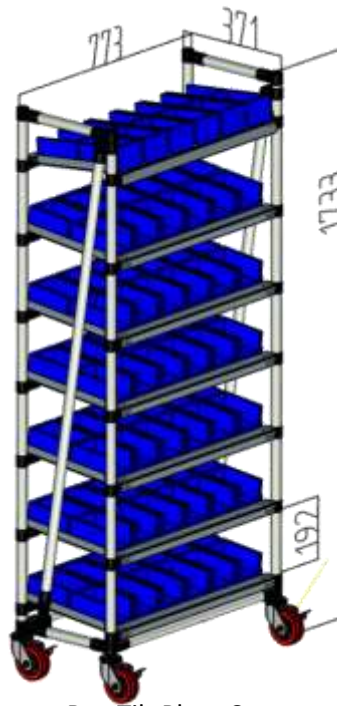


Max Load per Level 1mm pipe: 45kg  
Max Load : 315kg





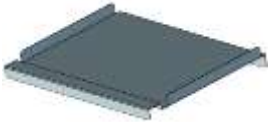








Box Tilt Plate Rack

**Box Dimensions (mm)**  
Width (Front): 105  
Box Depth: 150  
Height: 75



Box Tilt Plate Cart

**Boxes not included**

Structure Components						
Componentes da estrutura / Componenti della struttura / Componenti della struttura / Composants de structure						
Reference	Type	Pipe Dimensions	Pipe Colour	Description	Components	
BTPR01*	Kit	1 - $\varnothing$ 28*1.0	B 	Box Tilt Rolls Rack	PE-C2M 	
BTPR02*	Assembled		C 			
BTPR03*	Bulk Material		G  Y 			
BTPC01*	Kit		A 	Box Tilt Rolls Cart	RO4-105RT2 	
BTPC02*	Assembled		M 			
BTPC03*	Bulk Material		I ***  AL**** 			

\*\*\*\* Aluminum 2mm pipe

Alumínio/ Alluminio /  
Aluminio / Aluminium

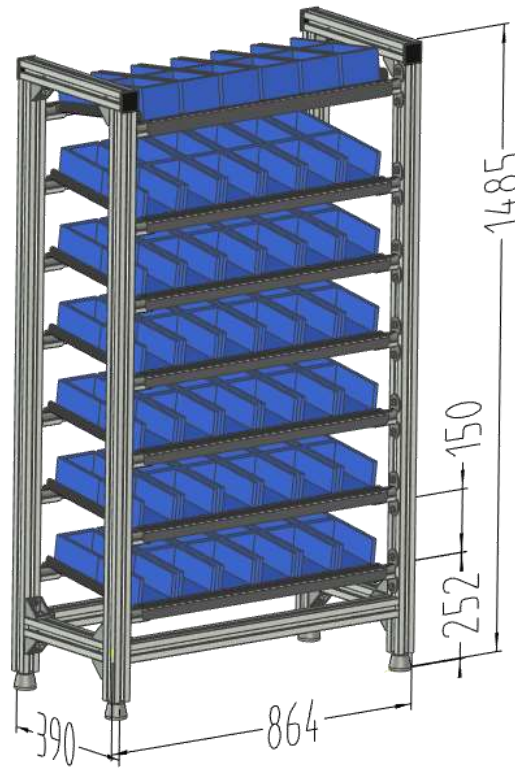
\*\*\*Stainless Steel 1mm pipe

Aço inoxidável / Acciaio inossidabile /  
Acero inoxidable / Acier inoxydable

Reference + Pipe Colour  
Ex.: **BTPR01B**

# Box Tilt Plate Rack Aluminum

Flow



Max Load per level: 10kg  
Max Load : 70kg

### Box Dimensions (mm)

Width (Front): 105

Box Depth: 150

Height: 75

Box Tilt Plate Rack

Boxes not included

## Structure Components

Componentes da estrutura / Componenti della struttura / Componenti della struttura/ Composants de structure  
EG

Reference	Type	Pipe Dimensions	Pipe color	Description	Components
BTPAL01**	Kit	1 - $\varnothing$ 28*1.0 2 - $\varnothing$ 28*2.0	B	Box Tilt Rolls Rack	 PE-C6M  CHGALV15 40 mm x 40mm ALUMINUM 
BTPAL02**	Assembled		C G Y A M		
BTPAL03**	Bulk Material		I*** AL****		

\*\*\*\* Aluminum 2mm pipe

Alumínio/ Alluminio /  
Aluminio / Aluminium

\*\*\*Stainless Steel 1mm pipe

Aço inoxidável / Acciaio inossidabile /  
Acero inoxidable / Acier inoxydable

Reference



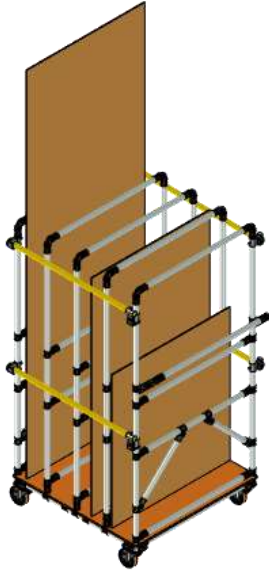
Pipe Dimensions



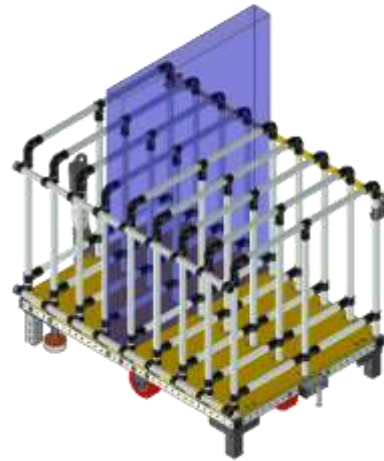
Pipe Colour

Ex.: BTPAL012B





P-C01



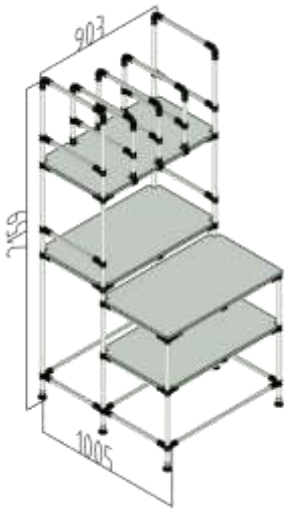
P-C02

Panel Cart					
Reference	Type	Pipe Dimensions	Pipe Colour	Description	Components
P-C01*	ø 28*	B	800x800	Height: 900-2400 Width: < 800	166
		C			
		G			
		Y			
		A			
		M			
P-C02*		I**	1200x800	Height: > 1200 Width: < 800	106
		AL***			

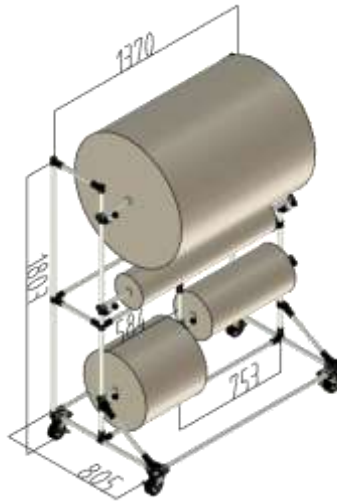
Reference + Colour  
Ex.: P-C01B

**\*\*Stainless Steel**  
Aço inoxidável / Acciaio inossidabile /  
Acero inoxidable / Acier inoxydable

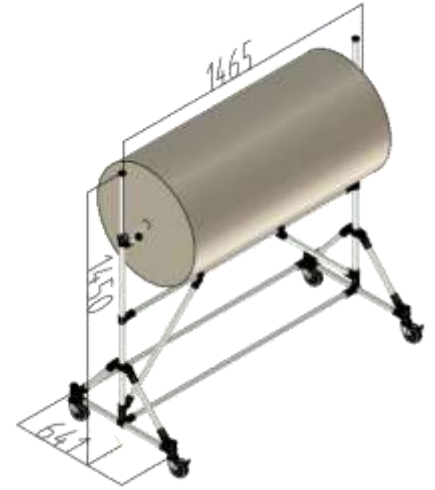
**\*\*\*Aluminum**  
Alumínio / Alluminio / Aluminium / Aluminium



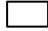







PSP-W01



PSP-W02



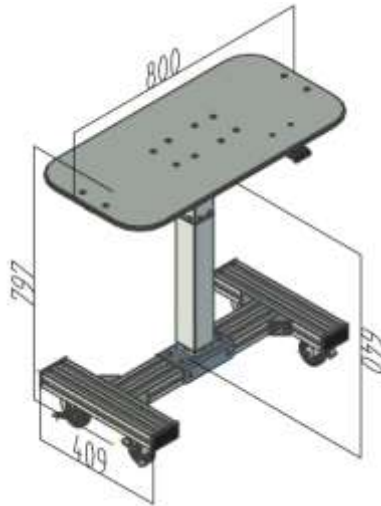
PSP-W03

Part Straight Packaging Workstation		
Reference	Pipe Dimension	Pipe Colour
PSP-W01*	ø 28*	B  C  G  Y  A  M  I**  AL*** 
PSP-W02*		
PSP-W03*		



Reference + Colour  
 Ex.: **PSP-W01B**

**\*\*Stainless Steel**  
 Aço inoxidável / Acciaio inossidabile /  
 Acero inoxidable / Acier inoxydable

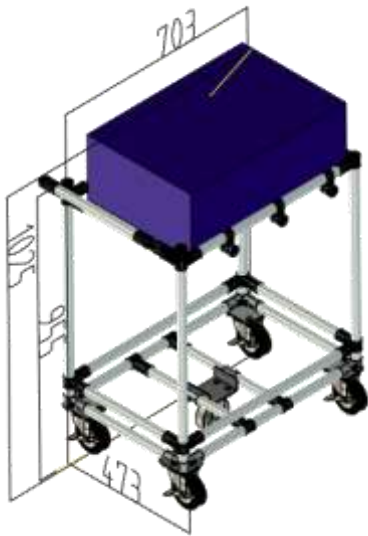
**\*\*\*Aluminum**  
 Alumínio / Alluminio / Aluminium / Aluminium



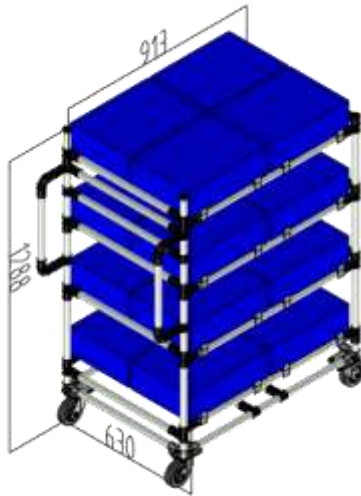
**APWL-TBL3**

Adjustable Packaging Workstation					
Reference	Type of Lifting System	Lifting System Range (mm)	Lifting System Compressed length (mm)	Lifting System	Type of pipe
APW	L-TBL1	215	440		 T-9045AL2
	L-TBL2	290	525		
	L-TBL3	400	640		

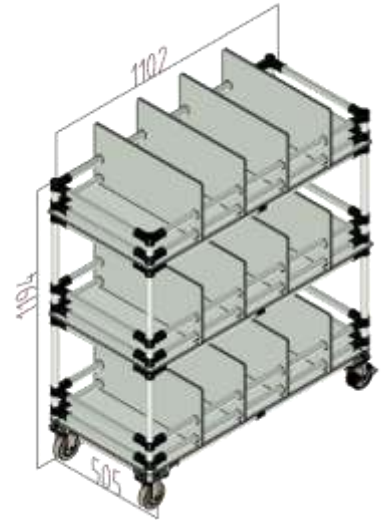
Reference + Type of Lifting System  
 Ex.: APWL-TBL1



E-CC01



E-CC02



E-CC03

E-Commerce Carts		
Reference	Pipe Dimension	Pipe Colour
E-CC01*	ø 28*	B
E-CC02*		C
E-CC03*		G
		Y
		A
		M
		I **
		AL ***

Reference + Colour  
Ex.: E-CC01B

**\*\*Stainless Steel**  
Aço inoxidável / Acciaio inossidabile /  
Acero inoxidable / Acier inoxydable

**\*\*\*Aluminum**  
Alumínio / Alluminio / Aluminium



## Chair with structure

Cadeira com estrutura / Sedia com struttura / Silla con estructura / Chaise avec structure

**BES-01 \***



**\* Casters RO3-60R2**  
Rodízios RO3-60R2 / Rulli RO3-60R2 /  
Ruedas RO3-60R2 / Roulettes RO3-60R2

**BES-02 \***



**\* Casters RO4-80R2**  
Rodízios RO4-R2 / Rulli RO4-R2 / Ruedas  
RO4-R2 / Roulettes RO4-R2

**BES-03 \***



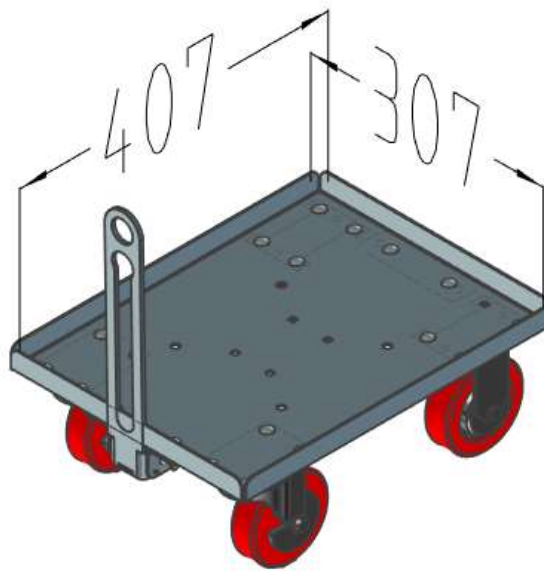
**\* Casters RO4-105R2**  
Rodízios RO4-105R2 / Rulli RO4-105R2 / Ruedas  
RO4-105R2 / Roulettes RO4-105R2



Watch Now



## Mini Wagon



MiniWagon							
Reference	Description	Wagon weight (Kg)	Max Load (Kg)	Max. ergon. Load (15kg) (Kg)	Casters	Height (mm)	Casters configuration (mm)
MINW2-240	MiniWagon 400 x 300 mm	5	240	240*	RO4-80	122	
MINW2-315		6	315	315*	RO4-105	131	
MINW2-180**		4	180	180*	R03-60R1	98	

**\* Values obtained in smooth and unobstructed ground, with distributed load and wheels at 90° with the direction of movement.**

Valores obtidos em chão liso e sem obstáculos, com carga distribuída e rodas a 90° com a direcção de movimento.

Valori ottenuti in terra liscia e non ostruita, con carico distribuito e ruote a 90° con la direzione di movimento.

Valores obtenidos en suelo liso y sin obstáculos, con carga distribuida y ruedas a 90° con la dirección de movimiento.

Valeurs obtenues dans un sol lisse et dégagé, avec une charge répartie et des roues à 90 ° avec la direction du mouvement.

**\*\* Arm and pin not included.**

Braço e pino não incluídos.

Braccio e spillo non inclusi.

Brazo y perno no incluidos.

Bras et goupille non inclus.

**\*\*\*Useful dimension.**

Dimensões uteis.

Dimensioni utili.

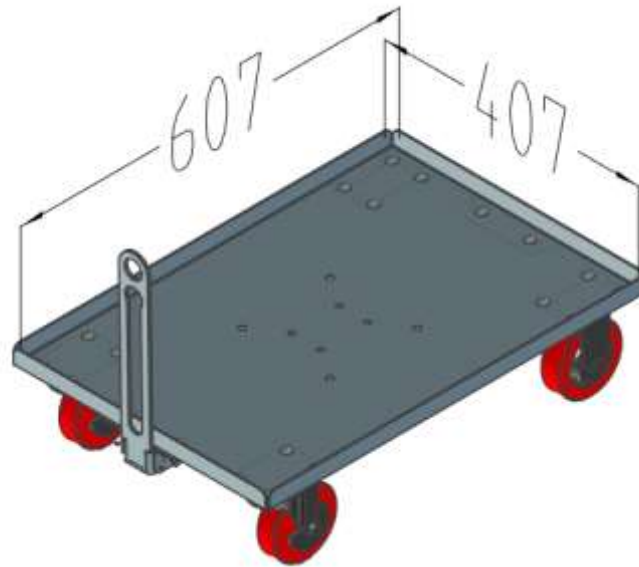
Dimensiones útiles.

Dimensions utiles.





Watch Now



## MiniWagon



MiniWagon							
Reference	Description	Wagon weight (kg)	Max Load (kg)	Max. ergon. Load (15kg) (kg)	Casters	Height (mm)	Casters configuration (mm)
MINW-240	MiniWagon 600 x 400 mm	7	240	240*	RO4-80	122	
MINW-315		8,5	315	315*	RO4-105	131	
MINW-180**		6	180	180*	R03-60R1	98	

**\* Values obtained in smooth and unobstructed ground, with distributed load and wheels at 90° with the direction of movement.**

Valores obtidos em chão liso e sem obstáculos, com carga distribuída e rodas a 90° com a direcção de movimento.

Valori ottenuti in terra liscia e non ostruita, con carico distribuito e ruote a 90° con la direzione di movimento.

Valores obtenidos en suelo liso y sin obstáculos, con carga distribuida y ruedas a 90° con la dirección de movimiento.

Valeurs obtenues dans un sol lisse et dégagé, avec une charge répartie et des roues à 90° avec la direction du mouvement.

**\*\* Arm and pin not included.**

Braço e pino não incluídos.

Braccio e spillo non inclusi.

Brazo y perno no incluidos.

Bras et goupille non inclus.

**\*\*\*Useful dimension.**

Dimensões uteis.

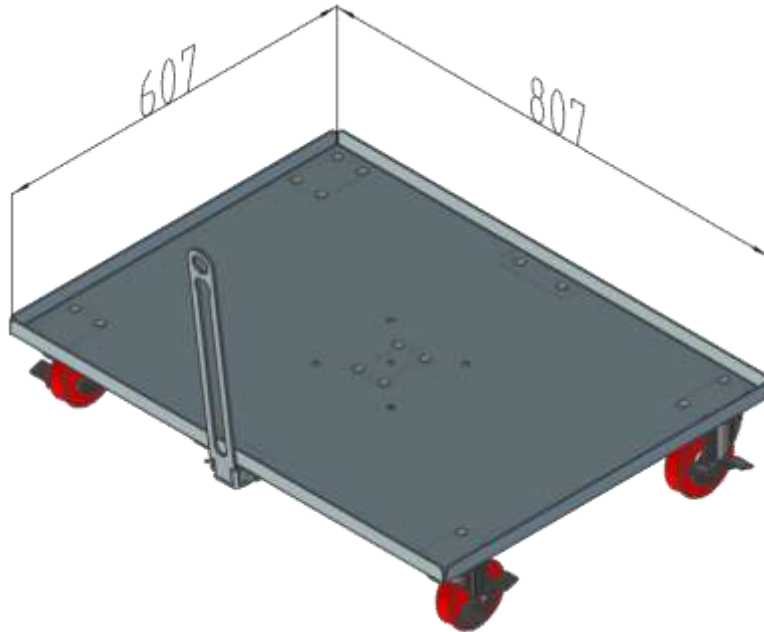
Dimensioni utili.

Dimensiones útiles.

Dimensions utiles.



Watch Now



## MiniWagon



MiniWagon							
Reference	Description	Wagon weight (kg)	Max Load (kg)	Max. ergon. Load (15kg) (kg)	Casters	Height (mm)	Casters configuration (mm)
MINW3-240	MiniWagon 600 x 800 mm	10	240	240*	RO4-80	122	
MINW3-315		11,5	315	315*	RO4-105	131	
MINW3-180**		9	180	180*	R03-60R1	98	

**\* Values obtained in smooth and unobstructed ground, with distributed load and wheels at 90° with the direction of movement.**

Valores obtidos em chão liso e sem obstáculos, com carga distribuída e rodas a 90° com a direção de movimento.

Valori ottenuti in terra liscia e non ostruita, con carico distribuito e ruote a 90° con la direzione di movimento.

Valores obtenidos en suelo liso y sin obstáculos, con carga distribuida y ruedas a 90° con la dirección de movimiento.

Valeurs obtenues dans un sol lisse et dégagé, avec une charge répartie et des roues à 90° avec la direction du mouvement.

**\*\* Arm and pin not included.**

Braço e pino não incluídos.

Braccio e spillo non inclusi.

Brazo y perno no incluidos.

Bras et goupille non inclus.

**\*\*\*Useful dimension.**

Dimensões úteis.

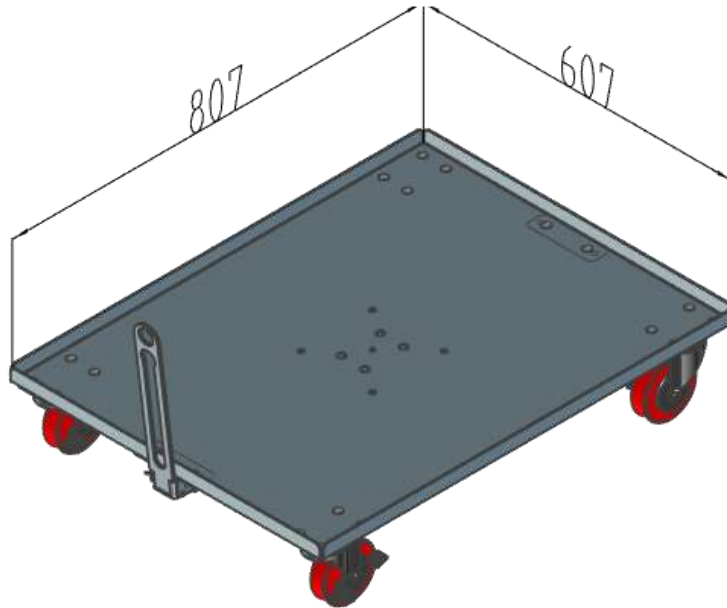
Dimensioni utili.

Dimensiones útiles.

Dimensions utiles.



Watch Now



## MiniWagon



MiniWagon							
Reference	Description	Wagon weight (Kg)	Max Load (Kg)	Max. ergon. Load (15kg) (Kg)	Casters	Height (mm)	Casters configuration (mm)
MINW4-240	MiniWagon 800 x 600 mm	10	240	240*	RO4-80	122	
MINW4-315		11,5	315	315*	RO4-105	131	
MINW4-180**		9	180	180*	R03-60R1	98	

**\* Values obtained in smooth and unobstructed ground, with distributed load and wheels at 90° with the direction of movement.**

Valores obtidos em chão liso e sem obstáculos, com carga distribuída e rodas a 90° com a direção de movimento.

Valori ottenuti in terra liscia e non ostruita, con carico distribuito e ruote a 90° con la direzione di movimento.

Valores obtenidos en suelo liso y sin obstáculos, con carga distribuida y ruedas a 90° con la dirección de movimiento.

Valeurs obtenues dans un sol lisse et dégagé, avec une charge répartie et des roues à 90° avec la direction du mouvement.

**\*\* Arm and pin not included.**

Braço e pino não incluídos.

Braccio e spillo non inclusi.

Brazo y perno no incluidos.

Bras et goupille non inclus.

**\*\*\*Useful dimension.**

Dimensões úteis.

Dimensioni utili.

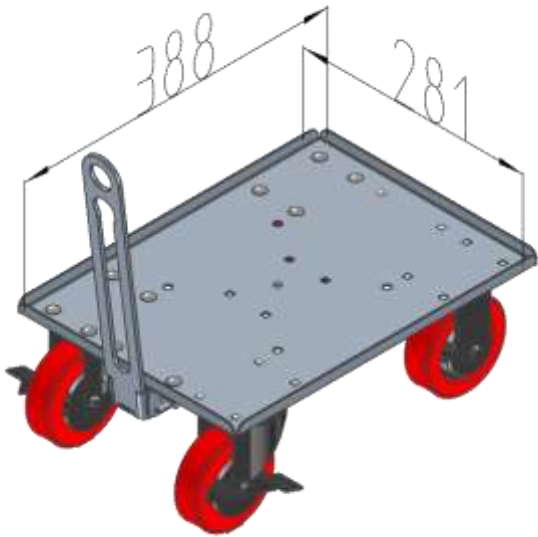
Dimensiones útiles.

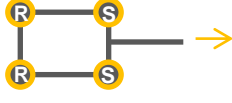
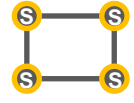
Dimensions utiles.





Mini  
Wagon



MiniWagon							
Reference	Description	Wagon weight (kg)	Max Load (kg)	Max. ergon. Load (15kg) (kg)	Casters	Height (mm)	Casters configuration (mm)
MINWI2-240	MiniWagon 385 x 278 mm (Inner edge support)	5	240	240*	RO4-80	122	
MINWI2-315		6,5	315	315*	RO4-105	131	
MINWI2-180**		4	180	180*	R03-60R1	98	

\* Values obtained in smooth and unobstructed ground, with distributed load and wheels at 90° with the direction of movement.

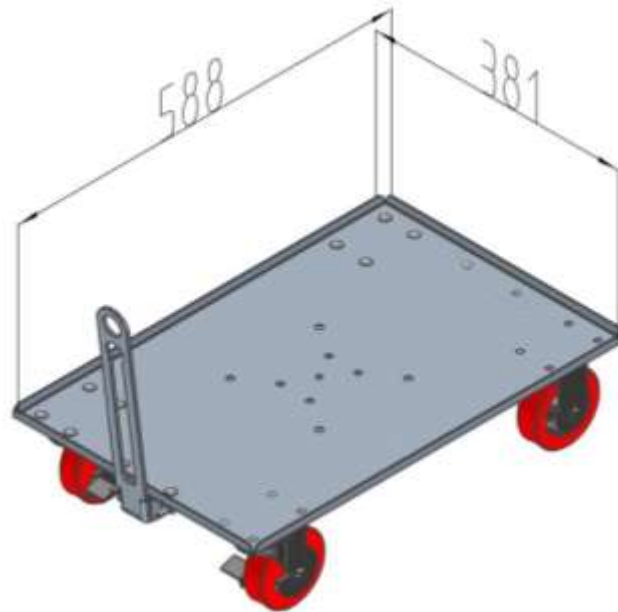
Valores obtidos em chão liso e sem obstáculos, com carga distribuída e rodas a 90° com a direcção de movimento.  
 Valori ottenuti in terra liscia e non ostruita, con carico distribuito e ruote a 90° con la direzione di movimento.  
 Valores obtenidos en suelo liso y sin obstáculos, con carga distribuida y ruedas a 90° con la dirección de movimiento.  
 Valeurs obtenues dans un sol lisse et dégagé, avec une charge répartie et des roues à 90° avec la direction du mouvement.

\*\* Arm and pin not included. \*\*\* Compatible with KLT and Euro boxes (400 x 300 mm)

Braço e pino não incluídos. Compatível com caixas KLT e Euro (400 x 300 mm).  
 Braccio e spillo non inclusi. Compatibile con scatole KLT ed Euro (400 x 300 mm).  
 Brazo y perno no incluidos. Compatible con cajas KLT y Euro (400 x 300 mm).  
 Bras et goupille non inclus. Compatible avec les boîtiers KLT et Euro (400 x 300 mm).



Watch Now



## MiniWagon



MiniWagon							
Reference	Description	Wagon weight (kg)	Max Load (kg)	Max. ergon. Load (15kg) (kg)	Casters	Height (mm)	Casters configuration (mm)
MINWI1-240	MiniWagon 585 x 378 mm (Inner edge support)	7	240	240*	RO4-80	122	
MINWI1-315		8,5	315	315*	RO4-105	131	
MINWI1-180**		6	180	180*	R03-60R1	98	

**\* Values obtained in smooth and unobstructed ground, with distributed load and wheels at 90° with the direction of movement.**

Valores obtidos em chão liso e sem obstáculos, com carga distribuída e rodas a 90° com a direcção de movimento.

Valori ottenuti in terra liscia e non ostruita, con carico distribuito e ruote a 90° con la direzione di movimento.

Valores obtenidos en suelo liso y sin obstáculos, con carga distribuida y ruedas a 90° con la dirección de movimiento.

Valeurs obtenues dans un sol lisse et dégagé, avec une charge répartie et des roues à 90° avec la direction du mouvement.

**\*\* Arm and pin not included. \*\*\* Compatible with KLT and Euro boxes (600 x 400 mm)**

Braço e pino não incluídos.

Braccio e spillo non inclusi.

Brazo y perno no incluidos.

Bras et goupille non inclus.

Compatível com caixas KLT e Euro (600 x 400 mm).

Compatibile con scatole KLT ed Euro (600 x 400 mm).

Compatible with cajas KLT y Euro (600 x 400 mm).

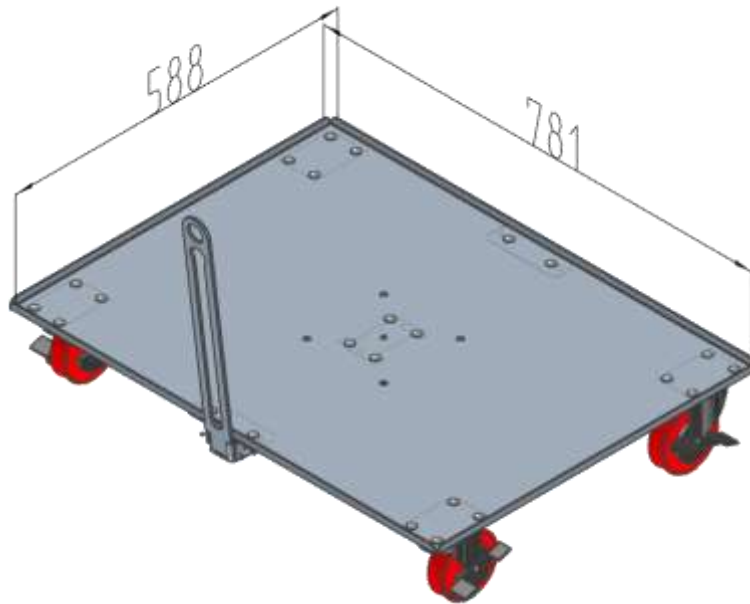
Compatible avec les boîtiers KLT et Euro (600 x 400 mm).



MWagon



Watch Now



## MiniWagon



MiniWagon							
Reference	Description	Wagon weight (kg)	Max Load (kg)	Max. ergon. Load (15kg) (kg)	Casters	Height (mm)	Casters configuration (mm)
MINWI3-240	MiniWagon 585 x 778 mm (Inner edge support)	10	240	240*	RO4-80	122	
MINWI3-315		11,5	315	315*	RO4-105	131	
MINWI3-180**		9	180	180*	R03-60R1	98	

**\* Values obtained in smooth and unobstructed ground, with distributed load and wheels at 90° with the direction of movement.**

Valores obtidos em chão liso e sem obstáculos, com carga distribuída e rodas a 90° com a direção de movimento.

Valori ottenuti in terra liscia e non ostruita, con carico distribuito e ruote a 90° con la direzione di movimento.

Valores obtenidos en suelo liso y sin obstáculos, con carga distribuida y ruedas a 90° con la dirección de movimiento.

Valeurs obtenues dans un sol lisse et dégagé, avec une charge répartie et des roues à 90° avec la direction du mouvement.

**\*\* Arm and pin not included.**

Braço e pino não incluídos.  
Braccio e spillo non inclusi.  
Braço y perno no incluidos.  
Bras et goupille non inclus.

**\*\*\* Compatible with KLT and Euro boxes (800 x 600 mm)**

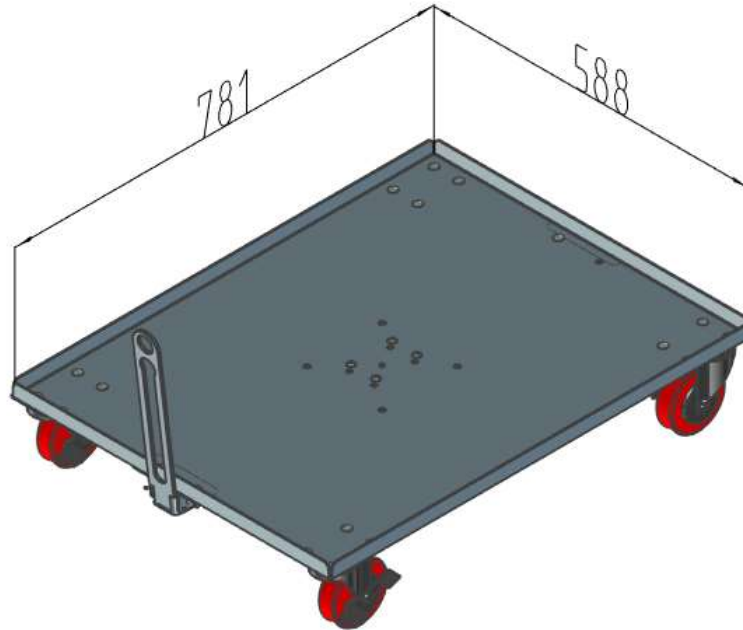
Compatível com caixas KLT e Euro (800 x 600 mm).  
Compatibile con scatole KLT ed Euro (800 x 600 mm).  
Compatible con cajas KLT y Euro (800 x 600 mm).  
Compatible avec les boîtiers KLT et Euro (800 x 600 mm).



MWagon

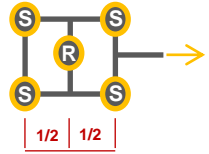
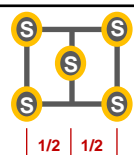


Watch Now



Mini  
Wagon



MiniWagon							
Reference	Description	Wagon weight (kg)	Max Load (kg)	Max. ergon. Load (15kg) (kg)	Casters	Height (mm)	Casters configuration (mm)
MINWI4-240	MiniWagon 778 x 585 mm (Inner edge support)	10	240	240*	RO4-80	122	
MINWI4-315		11,5	315	315*	RO4-105	131	
MINWI4-180**		9	180	180*	R03-60R1	98	

\* Values obtained in smooth and unobstructed ground, with distributed load and wheels at 90° with the direction of movement.

Valores obtidos em chão liso e sem obstáculos, com carga distribuída e rodas a 90° com a direção de movimento.

Valori ottenuti in terra liscia e non ostruita, con carico distribuito e ruote a 90° con la direzione di movimento.

Valores obtenidos en suelo liso y sin obstáculos, con carga distribuida y ruedas a 90° con la dirección de movimiento.

Valeurs obtenues dans un sol lisse et dégagé, avec une charge répartie et des roues à 90° avec la direction du mouvement.

\*\* Arm and pin not included.

Braço e pino não incluídos.  
Braccio e spillo non inclusi.  
Brazo y perno no incluidos.  
Bras et goupille non inclus.

\*\*\* Compatible with KLT and Euro boxes (800 x 600 mm)

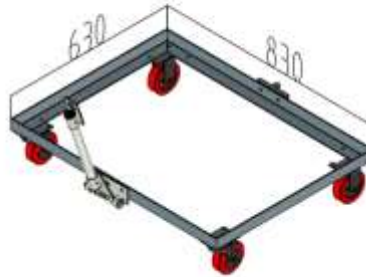
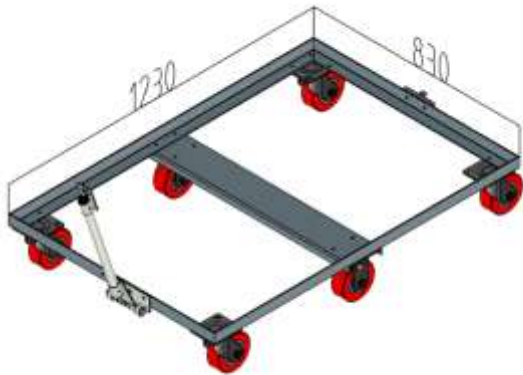
Compatível com caixas KLT e Euro (800 x 600 mm).  
Compatibile con scatole KLT ed Euro (800 x 600 mm).  
Compatible con cajas KLT y Euro (800 x 600 mm).  
Compatible avec les boîtiers KLT et Euro (800 x 600 mm).



Watch Now



Mini  
Wagon+

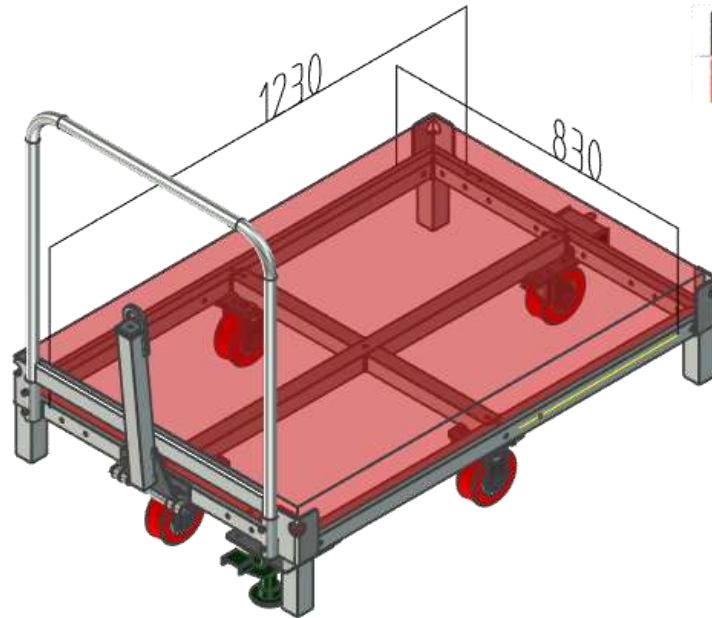
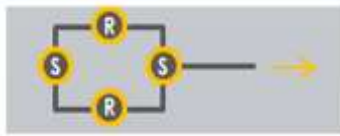


## MiniWagon Plus

Reference	Description	Wagon weight (kg)	Max Load (kg)	Casters	Height (mm)	Casters configuration (mm)
MNWP1-300	MiniWagon Plus 1230 x 830 mm	22	300	RO4-200FF	137	
MNWP2-300	MiniWagon Plus 830 x 630 mm	15	300	RO4-200FF	133	
MNWP3-300	MiniWagon Plus 630 x 430 mm	13	300	RO4-200FF	133	







## Maxi Wagon

### BaseWagon

Reference	Description	Wagon weight (Kg)	Max Load (Kg)	Max. ergon. Load (15Kg) (Kg)	Casters	Height (mm)	Characteristics	Quantity (pallet)
MW1-750	Base Wagon Diamond Configuration 1230x830mm	36	1050	655*	RO5-350	209		9
MW1-825	Base Wagon Configuração Diamante 1230x830mm	44	1050	785*	RO8-500	288		7
	Configurazione a rombo per Base Wagon 1230x830mm							
MW1-825S	BaseWagon Diamante Configuración 1230x830mm	48	1050	784*	RO8-700SS	298		7
MW1-1000	Base Wagon Diamant Configuration 1230x830mm	39	1050	960*	RO5-700A	219		9

**\* Values obtained in smooth and unobstructed ground, with distributed load and wheels at 90° with the direction of movement.**

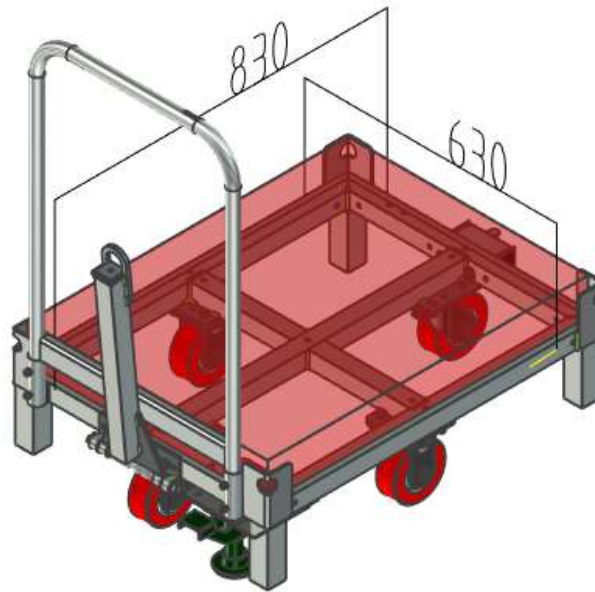
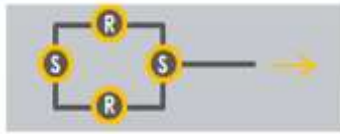
Valores obtidos em chão liso e sem obstáculos, com carga distribuída e rodas a 90° com a direcção de movimento.

Valori ottenuti in terra liscia e non ostruita, con carico distribuito e ruote a 90° con la direzione di movimento.

Valores obtenidos en suelo liso y sin obstáculos, con carga distribuida y ruedas a 90° con la dirección de movimiento.

Valours obtenues dans un sol lisse et dégagé, avec une charge répartie et des roues à 90° avec la direction du mouvement.





**Maxi  
Wagon**



## BaseWagon

Reference	Description	Wagon weight (Kg)	Max Load (Kg)	Max. ergon. Load (15Kg) (Kg)	Casters	Height (mm)	Characteristics	Quantity (pallet)
MW2-750	Base Wagon Diamond Configuration 830x630mm	36	1050	660*	RO5-350	209		9
MW2-825A	Base Wagon Configuração Diamante 830x630mm	44	1050	790*	RO8-500	288		7
	Configurazione a rombo per Base Wagon 830x630mm							
MW2-825	BaseWagon Diamante Configuración 830x630mm	48	1050	789*	RO8-700SS	298		7
MW2-1050A	Base Wagon Diamant Configuration 830x630mm	39	1050	960*	RO5-700A	219		9

**\* Values obtained in smooth and unobstructed ground, with distributed load and wheels at 90° with the direction of movement.**

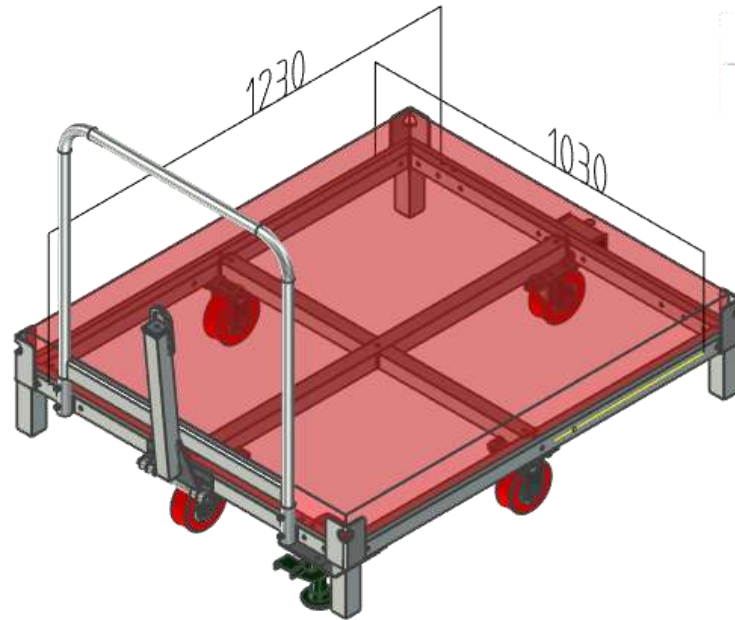
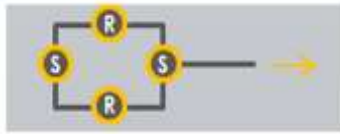
Valores obtidos em chão liso e sem obstáculos, com carga distribuída e rodas a 90° com a direcção de movimento.

Valori ottenuti in terra liscia e non ostruita, con carico distribuito e ruote a 90° con la direzione di movimento.

Valores obtenidos en suelo liso y sin obstáculos, con carga distribuida y ruedas a 90° con la dirección de movimiento.

Valeurs obtenues dans un sol lisse et dégagé, avec une charge répartie et des roues à 90° avec la direction du mouvement.





**Maxi  
Wagon**



BaseWagon

Reference	Description	Wagon weight (Kg)	Max Load (Kg)	Max. ergon. Load (15Kg) (Kg)	Casters	Height (mm)	Characteristics	Quantity (pallet)
MW3-750	Base Wagon Diamond Configuration 1230x1030mm	36	1050	650*	RO5-350	209		9
MW3-825	Base Wagon Configuração Diamante 1230x1030mm	44	1050	780*	RO8-500	288		7
	Configurazione a rombo per Base Wagon 1230x1030mm							
MW3-825S	BaseWagon Diamante Configuración 1230x1030mm	48	1050	779*	RO8-700SS	298		7
MW3-1000	Base Wagon Diamant Configuration 1230x1030mm	39	1050	955*	RO5-700A	219		9

**\* Values obtained in smooth and unobstructed ground, with distributed load and wheels at 90° with the direction of movement.**

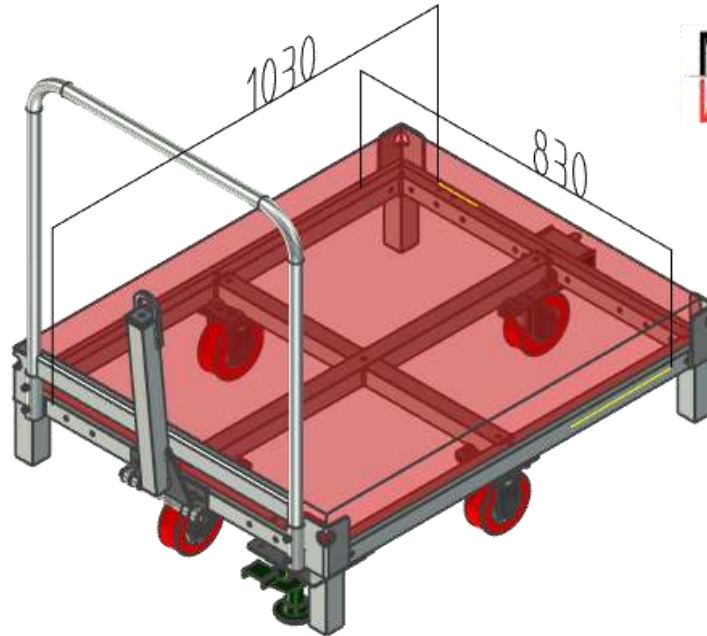
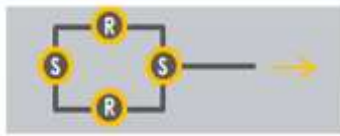
Valores obtidos em chão liso e sem obstáculos, com carga distribuída e rodas a 90º com a direcção de movimento.

Valori ottenuti in terra liscia e non ostruita, con carico distribuito e ruote a 90º con la direzione di movimento.

Valores obtenidos en suelo liso y sin obstáculos, con carga distribuida y ruedas a 90º con la dirección de movimiento.

Valours obtenues dans un sol lisse et dégagé, avec une charge répartie et des roues à 90 ° avec la direction du mouvement.





## Maxi Wagon



BaseWagon

Reference	Description	Wagon weight (Kg)	Max Load (Kg)	Max. ergon. Load (15Kg) (Kg)	Casters	Height (mm)	Characteristics	Quantity (pallet)
MW4-750	Base Wagon Diamond Configuration 1030x830mm	36	1050	656*	RO5-350	209		9
MW4-825	Base Wagon Configuração Diamante 1030x830mm	44	1050	786*	RO8-500	288		7
	Configurazione a rombo per Base Wagon 1030x830mm							
MW4-825S	BaseWagon Diamante Configuración 1030x830mm	48	1050	785*	RO8-700SS	298		7
MW4-1000	Base Wagon Diamant Configuration 1030x830mm	39	1050	961*	RO5-700A	219		9

**\* Values obtained in smooth and unobstructed ground, with distributed load and wheels at 90° with the direction of movement.**

Valores obtidos em chão liso e sem obstáculos, com carga distribuída e rodas a 90° com a direcção de movimento.

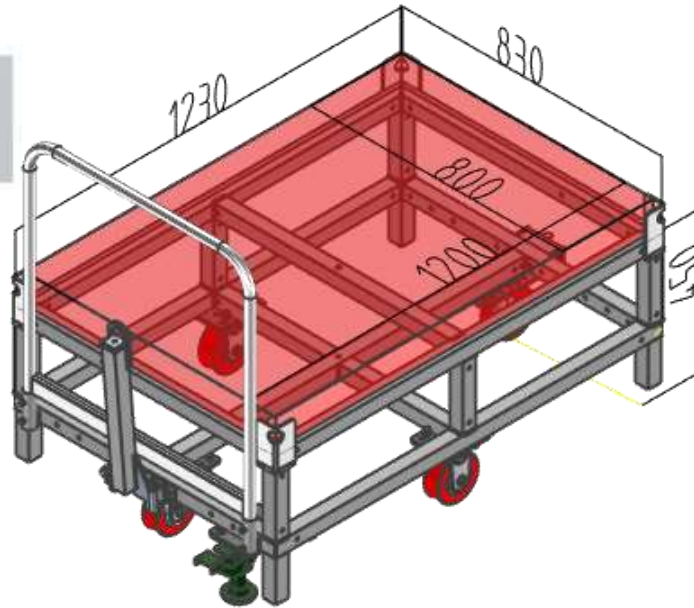
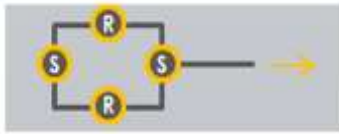
Valori ottenuti in terra liscia e non ostruita, con carico distribuito e ruote a 90° con la direzione di movimento.

Valores obtenidos en suelo liso y sin obstáculos, con carga distribuida y ruedas a 90° con la dirección de movimiento.

Valours obtenues dans un sol lisse et dégagé, avec une charge répartie et des roues à 90 ° avec la direction du mouvement.



## Maxi Wagon



Watch Now



### BaseWagon

Reference	Description	Wagon weight (Kg)	Max Load (Kg)	Max. ergon. Load (15Kg) (Kg)	Casters	Characteristics	Quantity (pallet)
TMW1-750	Tall Wagon Diamond Configuration 1230x830mm	63	1050	625*	RO5-350		5
TMW1-825	Tall Wagon Configuração Diamante 1230x830mm Configurazione a rombo per tall Wagon 1230x830mm	71	1500	765*	RO8-500		
TMW1-825S	Tall Wagon Diamante Configuración 1230x830mm	73	1500	764*	RO8-700SS		
TMW1-1000	Tall Wagon Diamant Configuration 1230x830mm	70	1500	940*	RO5-700A		

**\* Values obtained in smooth and unobstructed ground, with distributed load and wheels at 90° with the direction of movement.**

Valores obtidos em chão liso e sem obstáculos, com carga distribuída e rodas a 90° com a direcção de movimento.

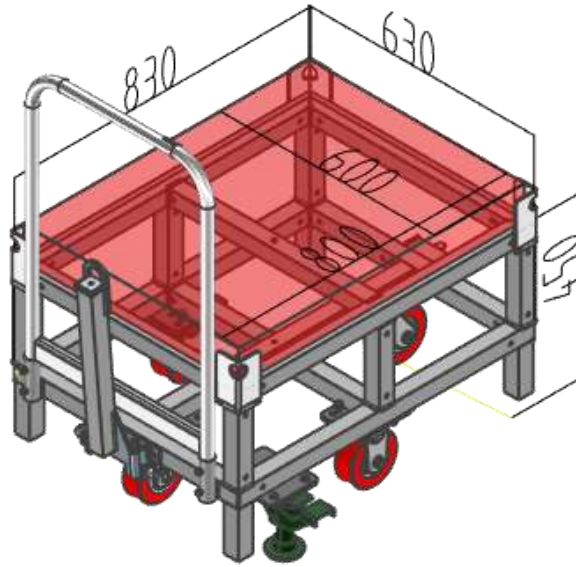
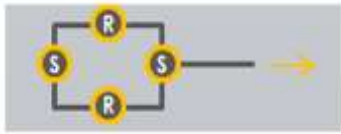
Valori ottenuti in terra liscia e non ostruita, con carico distribuito e ruote a 90° con la direzione di movimento.

Valores obtenidos en suelo liso y sin obstáculos, con carga distribuida y ruedas a 90° con la dirección de movimiento.

Valeurs obtenues dans un sol lisse et dégagé, avec une charge répartie et des roues à 90° avec la direction du mouvement.



Maxi  
Wagon



BaseWagon							
Reference	Description	Wagon weight (Kg)	Max Load (Kg)	Max. ergon. Load (15Kg) (Kg)	Casters	Characteristics	Quantity (pallet)
TMW2-750	Tall Wagon Diamond Configuration 1230x830mm	63	1050	635*	RO5-350		5
TMW2-825	Tall Wagon Configuração Diamante 1230x830mm Configurazione a rombo per tall Wagon 1230x830mm	71	1500	775*	RO8-500		
TMW2-825S	Tall Wagon Diamante Configuración 1230x830mm	73	1500	774*	RO8-700SS		
TMW2-1000	Tall Wagon Diamant Configuration 1230x830mm	70	1500	950*	RO5-700A		

**\* Values obtained in smooth and unobstructed ground, with distributed load and wheels at 90° with the direction of movement.**

Valores obtidos em chão liso e sem obstáculos, com carga distribuída e rodas a 90º com a direcção de movimento.

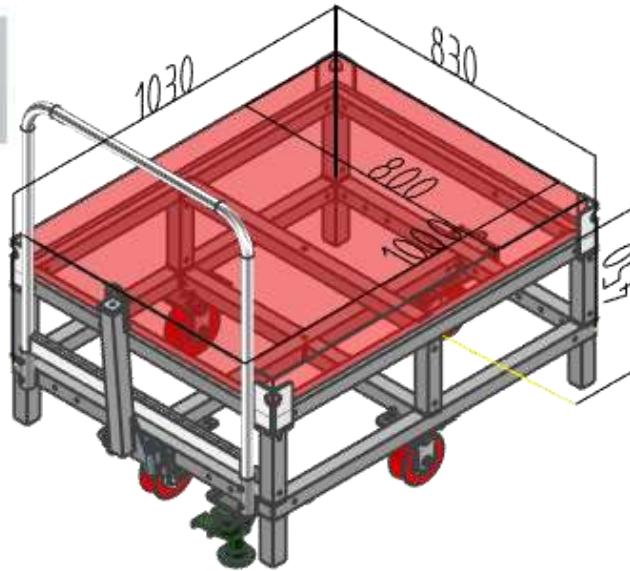
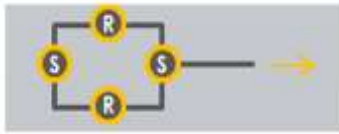
Valori ottenuti in terra liscia e non ostruita, con carico distribuito e ruote a 90º con la direzione di movimento.

Valores obtenidos en suelo liso y sin obstáculos, con carga distribuida y ruedas a 90º con la dirección de movimiento.

Valeurs obtenues dans un sol lisse et dégagé, avec une charge répartie et des roues à 90 ° avec la direction du mouvement.



**Maxi  
Wagon**



BaseWagon							
Reference	Description	Wagon weight (Kg)	Max Load (Kg)	Max. ergon. Load (15Kg) (Kg)	Casters	Characteristics	Quantity (pallet)
TMW4-750	Tall Wagon Diamond Configuration 1030x830mm	54	1050	627*	RO5-350		5
TMW4-825	Tall Wagon Configuração Diamante 1030x830mm Configurazione a rombo per tall Wagon 1030x830mm	62	1500	767*	RO8-500		
TMW4-825S	Tall Wagon Diamante Configuración 1030x830mm	54	1500	766*	RO8-700SS		
TMW4-1000	Tall Wagon Diamant Configuration 1030x830mm	61	1500	942*	RO5-700A		

**\* Values obtained in smooth and unobstructed ground, with distributed load and wheels at 90° with the direction of movement.**

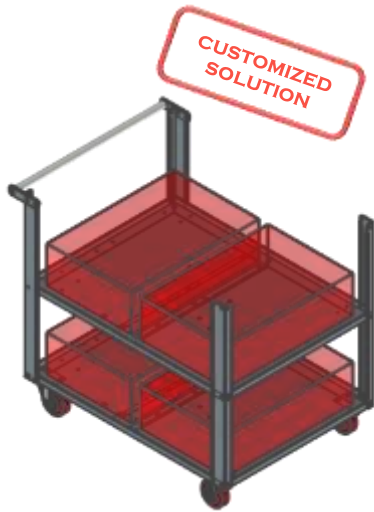
Valores obtidos em chão liso e sem obstáculos, com carga distribuída e rodas a 90° com a direcção de movimento.

Valori ottenuti in terra liscia e non ostruita, con carico distribuito e ruote a 90° con la direzione di movimento.

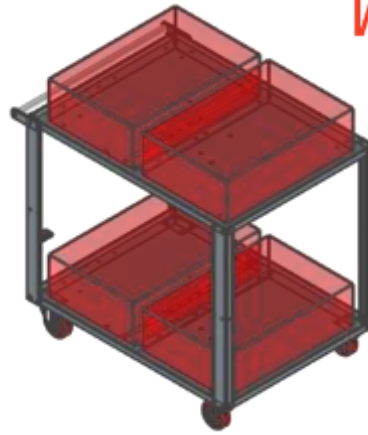
Valores obtenidos en suelo liso y sin obstáculos, con carga distribuida y ruedas a 90° con la dirección de movimiento.

Valeurs obtenues dans un sol lisse et dégagé, avec une charge répartie et des roues à 90° avec la direction du mouvement.





Mini Wagon



Tall mini wagon				
Reference Referência/ Artículo Referencia/ Référence	Description Descrição/Descrizione Descripción/Description	Internal Dimensions Dimensões internas / Dimensioni interno/ Dimensiones interne/ Dimensiones internos (mm)	Max. Load (Kg)	Accessories Acessórios / Accessori Accesorios / Accessoires
TMINW3-1		820 x 610	200	C-CA4
TMINW3-2				C-ECA4
				BR-4V
				VAG-TMINW3*

**To use with XCasters RO4-200FF**  
 Utilização com XCasters RO4-200FF  
 Da utilizzare con XCasters RO4-200FF  
 Da utilizzare con XCasters RO4-200FF  
 À utiliser avec XCasters RO4-200FF

**\*Additional level**  
 Nivel adicional  
 Livello aggiuntivo  
 Nivel adicional  
 Niveau supplémentaire

**Compatible with Eurobox**  
 Compatível com eurobox  
 Compatibili con eurobox  
 Compatible con eurobox  
 Compatible avec eurobox





MWM\*

Base Multishelve Wagon				
Reference	Description	Internal dimensions (mm)	External dimensions (mm)**	Accessories
MWM1	<b>Base for Multishelve Wagon</b> Base para wagon multiprateleira / Base per wagon multi mensola / Base para vagón multi estante / Base pour wagon multi étagère	724 x 524	800 x 600	BR-13 T-2820 Xpanels XCasters
MWM2		764 x 564	830 x 630	
MWM3		884 x 674	950 x 740	
MWM4		964 x 764	1030 x 830	
MWM5		1124 x 724	1200 x 800	
MMW6		1164 x 764	1230 x 830	
MWM7		1164 x 964	1230 x 1030	
MWM8		1304 x 884	1370 x 950	

### Multiple Casters Available

Vários rodízios disponíveis  
 Ruote disponibili  
 Ruedas disponibles  
 Roulettes disponibles

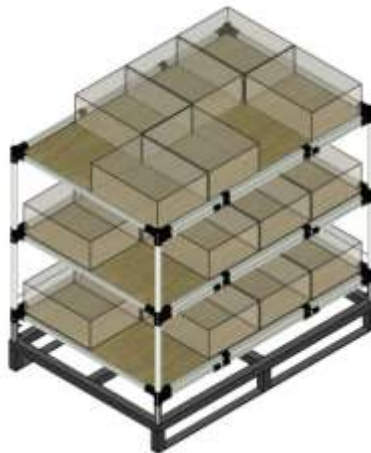


**\*This structure is prepared to assemble 4Lean system components.**

Esta estrutura está preparada para montar componentes 4Lean System.  
 Questa struttura è pronta per il montaggio di componenti del 4Lean System.  
 Esta estructura está preparada para montar componentes 4Lean System.  
 Cette structure est prête à monter des composants du 4Lean System.

**\*\*Dimensions do not include arm and pin.**

Dimensões não incluem braço e pino.  
 Dimensioni non includono braccio e perno.  
 Dimensiones no incluyen el brazo y el perno.  
 Dimensions n'incluent pas le bras et la goupille.



MP\*

MaxiWagon Multishelve				
Reference	Description	Internal dimensions (mm)	External dimensions (mm)	Accessories
MP1	<b>Base for Multishelve Wagon</b> Base para wagon multiprateleira / Base per wagon multi mensola / Base para vagón multi estante / Base pour wagon multi étagère	724 x 524	800 x 600	BR-13  T-2820  Xpanels
MP2		764 x 564	830 x 630	
MP3		884 x 674	950 x 740	
MP4		964 x 764	1030 x 830	
MP5		1124 x 724	1200 x 800	
MP6		1164 x 764	1230 x 830	
MP7		1164 x 964	1230 x 1030	
MP8		1304 x 884	1370 x 950	

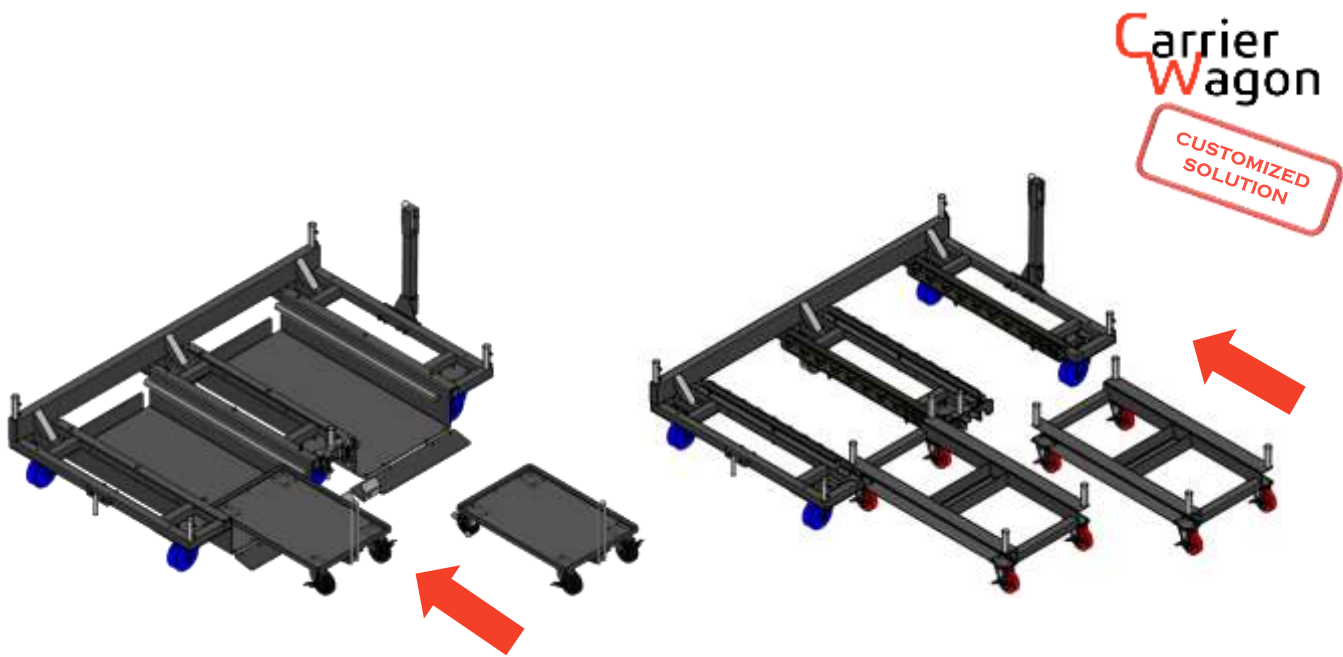
**\*This structure is prepared to assemble 4Lean system components.**

Esta estrutura está preparada para montar componentes 4Lean System.

Questa struttura è pronta per il montaggio di componenti del 4Lean System.

Esta estructura está preparada para montar componentes 4Lean System.

Cette structure est prête à monter des composants du 4Lean System.



**VAG-TRW\***

Trolley Tall Ramp Wagon			
Reference	Description	Dimensions (mm)	Acessories
<b>VAG-TRW1</b>	Tall Ramp Wagon 1	<b>812x1696</b>	T-2820 BASE-TRW MiniWagon
<b>VAG-TRW2</b>	Tall Ramp Wagon 2	<b>1012x1696</b>	R-22A RMWE

**\*This structure is prepared to assemble 4Lean system components.**

Esta estrutura está preparada para montar componentes 4Lean System.

Questa struttura è pronta per il montaggio di componenti del 4Lean System.

Esta estructura está preparada para montar componentes 4Lean System.

Cette structure est prête à monter des composants du 4Lean System.

# Box Straight Plate Wagon Plus

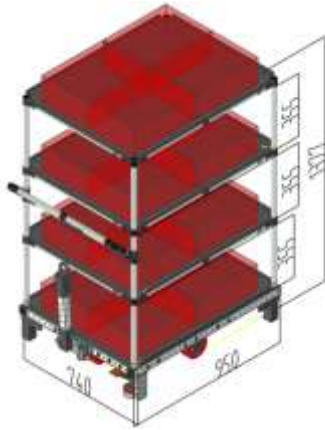


Max Load per Level 2mm pipe: 90kg  
Max Load 2mm pipe: 532kg

Max Load per Level 2mm pipe: 133kg  
Max Load 2mm pipe: 532kg

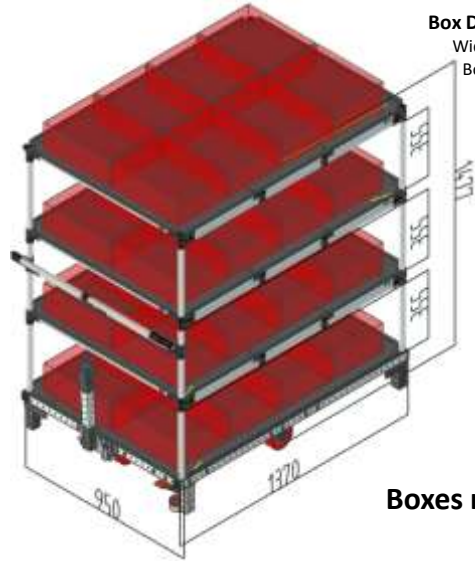
### Box Dimensions (mm)

Width (Front): 600  
Box Depth: 400  
Height: 150



### Box Dimensions (mm)

Width (Front): 800  
Box Depth: 1200  
Height: 150



**Boxes not included**

## Structure Components

Componentes da estrutura / Componenti della struttura / Componenti della struttura / Composants de structure

Description	Reference	Type	Dimensions (mm)	Pipe Colour	Components		
Box Straight Plate Cart Plus	BSPW01P2*	Kit	1200*800	B	 	  	
	BSPW02P2*	Assembled		C			 
	BSPW05P2*	Bulk Material		G			
	BSPW03P2*	Kit	800*600	Y	  		
	BSPW04P2*	Assembled		A			
	BSPW06P2*	Bulk Material		M			
				I ***			
				AL ****			

\*\*\*\* Aluminum 2mm pipe

Aluminio / Alluminio /  
Aluminio / Aluminium

\*\*\*Stainless Steel 1mm pipe

Aço inoxidável / Acciaio inossidabile / Acero  
inoxidable / Acier inoxydable


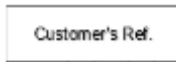





Reference

+

Colour

\* Ex.: **BSPW01P2B**

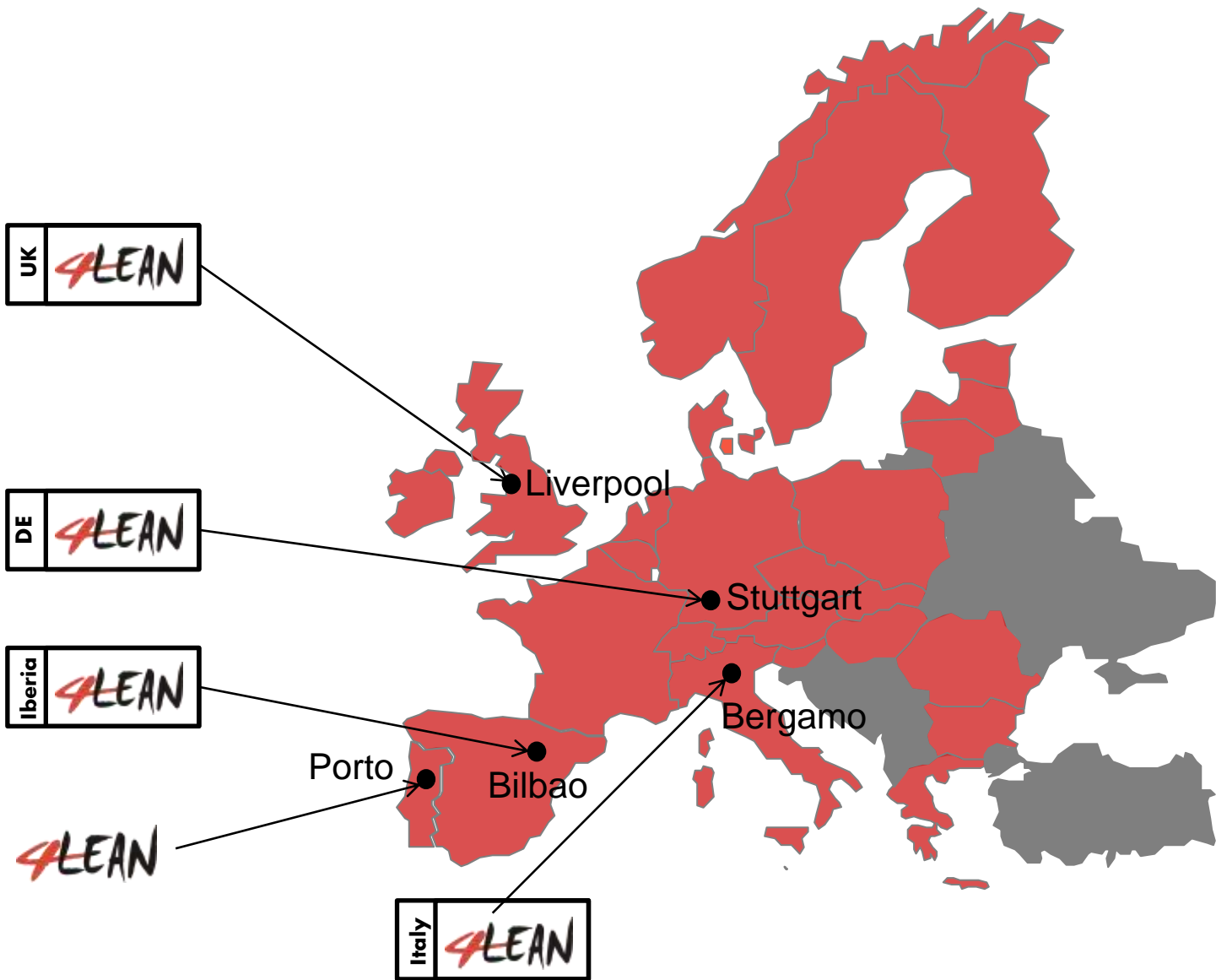
# Quality Label for Structure Specifications

Quality Labels Etiquetas de Qualidade / Etichette di qualità / Etiquetas de Calidad / Labels de qualité				
Reference	Image	Type	Dimensions(mm)	Description
B-LQA4H		Plasticized Quality Label	307x220	Complete structure specifications: - Title. - Identification number. - Design. - Dimensions. - Maximum load. - Production date.
B-LAQH		Adhesive Quality Label	100x35	Minimum structure specifications: - Identification number. - Quality check date. - Maximum load. - Production date.
B-LCAQH		Customizable Adhesive Quality Label	100x35	Customer's reference label. - Internal reference number.
PM-CE*		Adhesive CE Label	69x66 60x120	CE certification: - CE marking plate. - Sticker CE security symbols
M-CE*		PDF	A5	CE certification manual: -Customer language
M-MAN		PDF	A5	User and maintenance manual: - Customer language.
M-FEM		PDF	A5	Finite Element Method : - Customer language
PM-QH2		Aluminium Quality Label	130x36	Minimum structure specifications: - Identification number. - Quality check date. - Maximum load. - Production date.

\* Available for solution with CE marking









# Some of our clients

| Alguns dos nossos clientes | Alcuni dei nostri clienti | Algunos de nuestros clientes |  
Certains de nos clients

## Horeca Equipments



## Industrial and Agricultural Vehicles



## Power transmission



## Automotive



## Aeronautics



## Small Appliance



## E-Commerce & Warehouse



## Elevators



# We Build Lean

4Lean, Lda  
4lean@4lean.net  
www.4lean.net

# Some of our clients

| Alguns dos nossos clientes | Alcuni dei nostri clienti | Algunos de nuestros clientes |  
Certains de nos clients

## White goods

**POLIDORO**  
by arredo3

**sisme**

**METEOR**  
by arredo3

Whirlpool

**Electrolux**

**FABER**

## Bicycles

**SRAM**

**Maias**

**Micanda**  
The European Bike Fundamentals

**rte**

**ALUBIKE**

*Campagnolo*

**LOMBARDO**  
CC SRM

**ORBEA**

## Electrical

**ABB**

**CAME**

**bticino**

**efacec**

**OSRAM**

**WESTRAFO**

**EFAPEL**

**SIEMENS**

**simon**

## Electronics

**ALFA**  
ELECTRONICS

**TE**  
CARDIOLINE

**flex**

**KEMET**  
a YAGEO company

**CAREL**

**OLYMPUS**

**vision-box**

**VISHAY**

**ES**  
ELECTRONICS

## Fashion

**LVMH**  
LUXURY MODERNIZATION

**NIKE**

**YSL**

**YKK**

**SWATCH GROUP**

**BALLY**

**KERING**

## Process Industry

**Nestlé**

**BANCO DE PORTUGAL**  
SOPORTE

**NAVIGATOR**  
LOGISTICS

**Coca-Cola**

**thyssenkrupp**

**PESCANOVA**

**Tetra Pak**

**Recipharm**  
good for business

## Ventilation and refrigeration

**VERTIV.**

**Parker**

**Swegon**

**EBT**

**kide**

**TROX<sup>®</sup> TECHNIK**  
The art of handling air

**arneg**

**Keyter**

## WoodWorking

**IKEA**

**ALF**

**BRUGNOTTO**  
GROUP

**PIANCA**

**Arredo3**

**ernestomeda**

**TECNOFORM**

**Valcucine**

## Industrial Machines

**+GF+**  
GEORG FISCHER

**GEA**  
TECHNICAL GROUP

**magic**  
MAGNAPROTECTOR

**BOBST**

**salvagnini**

**MEGA**

**FRIUL**  
INTAGLI

**WAGNER**

# We Build Lean

4Lean, Lda  
4lean@4lean.net  
www.4lean.net

# Some of our clients

| Alguns dos nossos clientes | Alcuni dei nostri clienti | Algunos de nuestros clientes |  
Certains de nos clients

## Services



## Healthcare



## Construction Components



## Coachworks



## HandTools



## Public Sector



# We Build Lean

4Lean, Lda  
4lean@4lean.net  
www.4lean.net